

INSTRUCTIONS FOR INSTALLATION AND OPERATION

SIRIUS 1.1 & SIRIUS 3.1



Version from 27.6.2023

Subject to typing and printing errors, as well as minor deviations in colour for printing reasons, deviations in surfaces and dimensions, and other technical modifications.

Table of Content

FOREWORD	3
DEVICE DESCRIPTION	4
Documents included.....	5
Accessories included	5
Device dimensions.....	6
IMPORTANT INFORMATION	7
SAFETY	7
Labelling	7
Liability	7
Information on legal regulations	7
Only use suitable fuel	7
Chimney requirements.....	7
Regular cleaning and maintenance work.....	8
Spare parts and accessories	8
Original condition	8
Proper installation & entering into service	8
Sufficient supply of fresh air.....	8
What to do in the event of a chimney fire	8
TRANSPORT / PACKAGING	8
Modes of transport	9
FUEL.....	9
Permitted fuel	9
Unauthorized fuel.....	9
INSTALLATION	10
Minimum distances	10
Floor protection.....	10
Connecting element	10
Chimney.....	10
Room-sealed operation.....	10
Changing the combustion air feed/exhaust extraction pipe.....	11
OPERATION.....	12
Heating door.....	12
Setting for the combustion air	12
Window cleaning air.....	13
INITIAL OPERATION	13
Entering the device into operation for the first time.....	13
Information on odours	13
Information on noises	13
Information on combustion chamber lining	13
HEATING CORRECTLY	13

Heating in the transitional period	14
CLEANING AND MAINTENANCE	14
How to fix the heating door	15
Cleaning with an ash vacuum.....	15
Cleaning varnished surfaces.....	15
Cleaning the window.....	15
Cleaning the combustion chamber	16
Lubricating the locking mechanism.....	17
Special care and maintenance instructions.....	18
Replacement of lining.....	20
TROUBLESHOOTING	21
TECHNICAL DATA.....	22
Type testing / Quality seal.....	22
Energy label & Product fiche & Technical Documentation	23
Serial number	24
Warranty	24
Information on disassembly, recycling and/or disposal at end-of-life.....	25
CE marking & DoP.....	26

FOREWORD

By opting to purchase the SIRIUS fireplace, you are receiving a quality SCHIEDEL product.

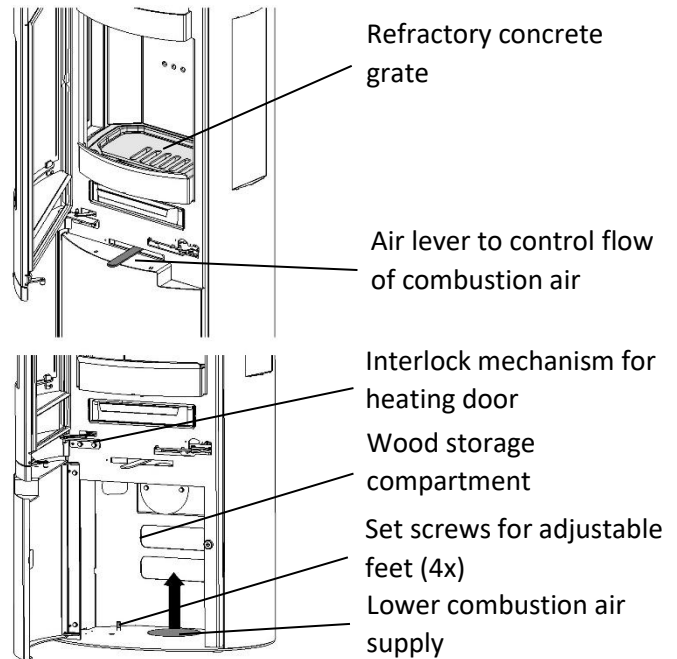
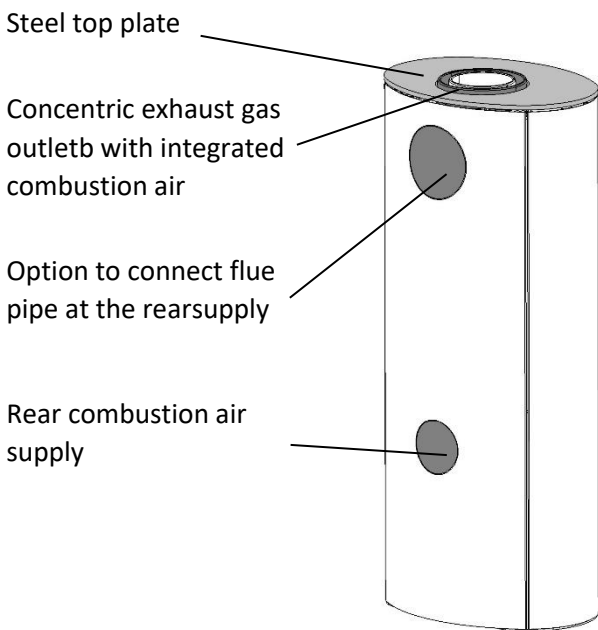
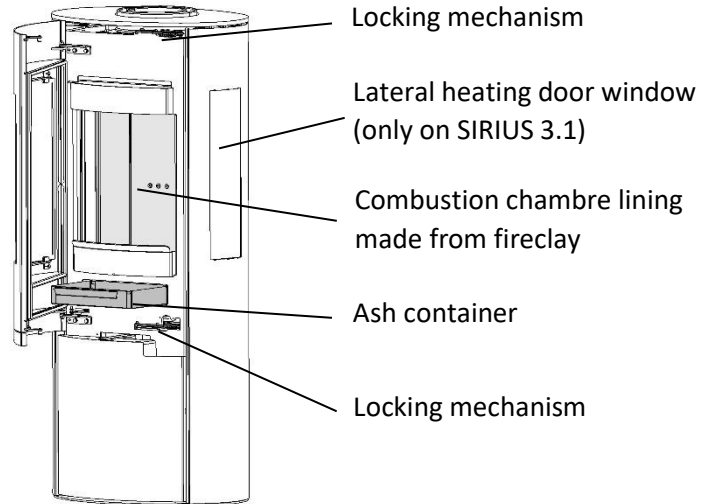
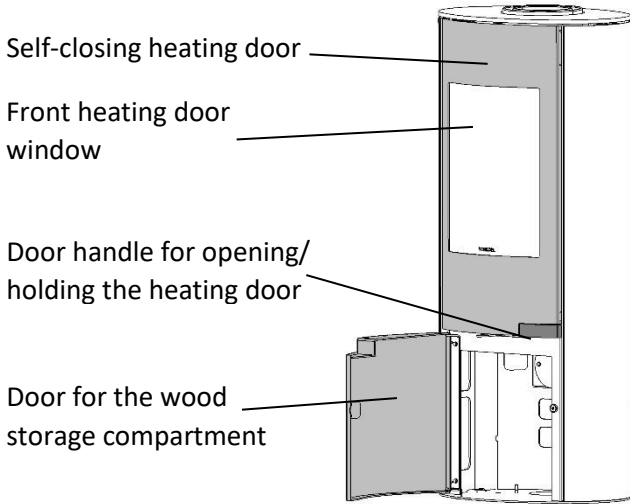
In addition to its elegant and classic design, we have paid particular attention to ensuring that the combustion technology is advanced, materials are high in quality and workmanship is immaculate.

We are convinced that you will be very pleased with our SIRIUS fireplace.

DEVICE DESCRIPTION

The SIRIUS fireplace is a stove for intermittent burning which has been specially designed for the combustion of firewood. This type of fireplace differs to a stove for continuous burning in terms of its replenishing interval, burning time, however, is not restricted.

This means that a stove for intermittent burning can be used over longer periods of time (3-5 hours = 3-5 burning cycles with each max. 2 kg filling) without the risk of the device getting damaged. The device shell is a welded steel structure.



Documents included



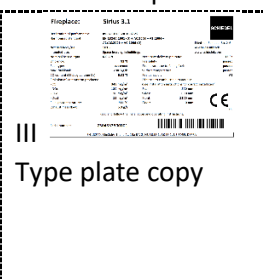
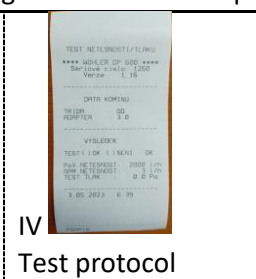
The documents below are located in small plastic bags that stick on the plastic cover over the stove or inside the combustion chamber.

 <p>Sirius 1.1 ART. NR.: 176715 SERIAL NR.: 2304353500101</p> <p>A Packaging label</p>	 <p>B Installation and operation manual*</p>
---------------------------------------------------------------------------------------------------------------------------------------------------------------------------------------------------------------------------------	------------------------------------------------------------------------------------------------------------------------------------------

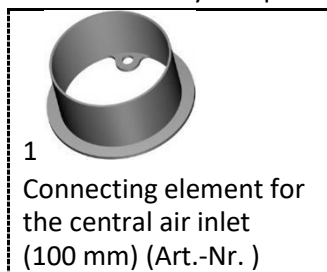


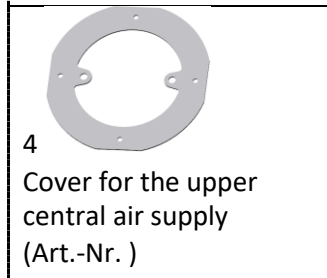
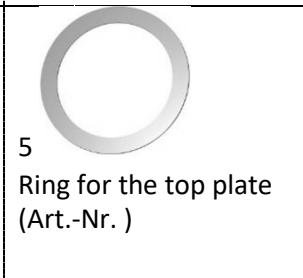
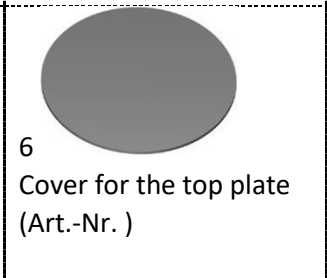
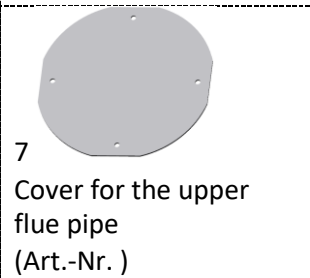
*in national language to be added by Schiedel prior shipment to customer

Accessories included

All the accessory components below are located in a small plastic bag that sticks on the plastic cover over the stove.

 <p>I Protective glove and CE document (Art.-Nr.)</p>	 <p>II Eco label and product data sheet</p>	 <p>III Type plate copy</p>	 <p>IV Test protocol</p>
----------------------------------------------------------------------------------------------------------------------------------------------------	------------------------------------------------------------------------------------------------------------------------------------------	--------------------------------------------------------------------------------------------------------------------------	------------------------------------------------------------------------------------------------------------------------

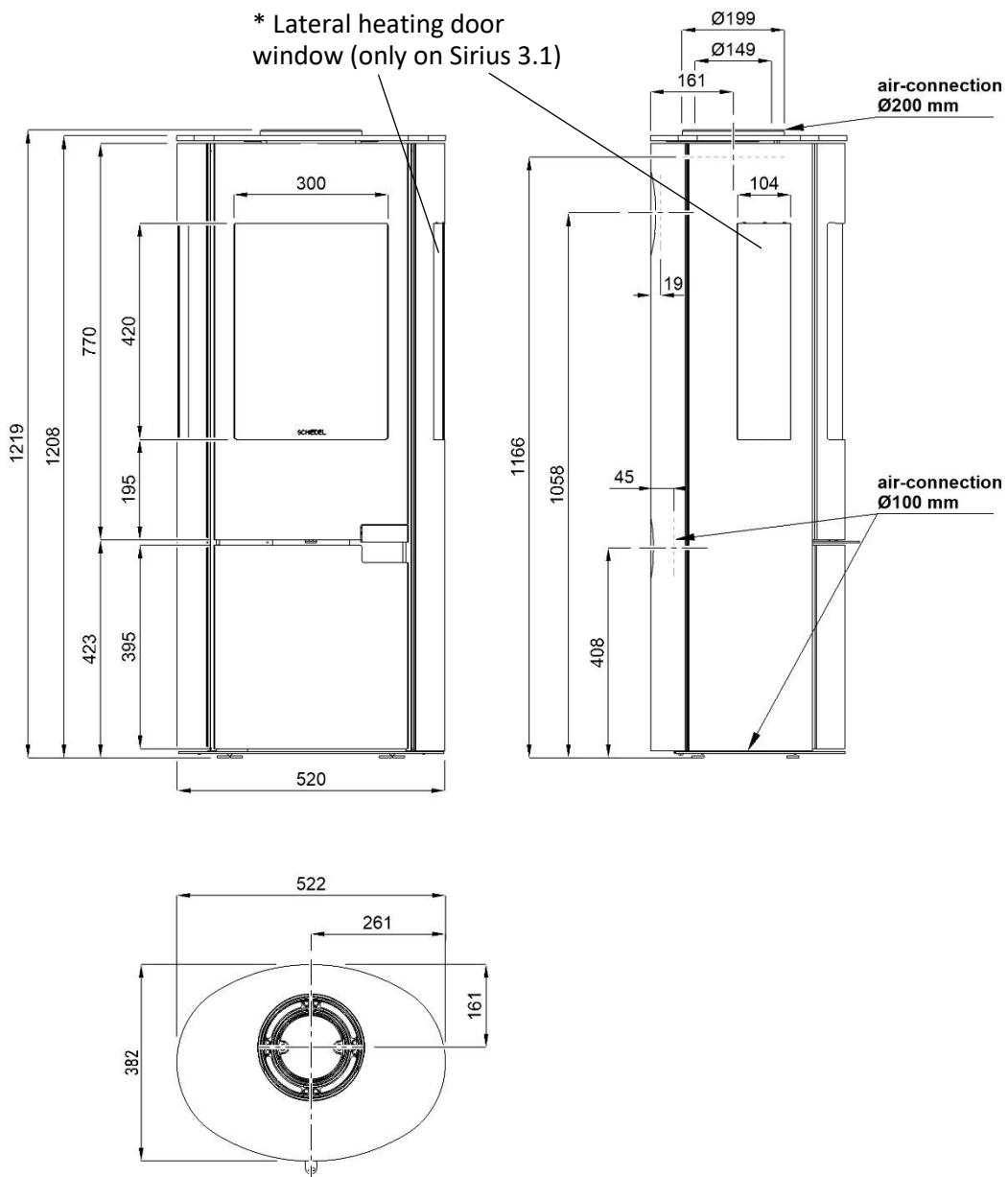
All the accessory components below are located in a small paper box inside the wood storage compartment.

 <p>1 Connecting element for the central air inlet (100 mm) (Art.-Nr.)</p>	 <p>2 Seal for the central supply air (Art.-Nr.)</p>	 <p>3 Copper paste (Art.-Nr. for reorder)</p>	
 <p>4 Cover for the upper central air supply (Art.-Nr.)</p>	 <p>5 Ring for the top plate (Art.-Nr.)</p>	 <p>6 Cover for the top plate (Art.-Nr.)</p>	 <p>7 Cover for the upper flue pipe (Art.-Nr.)</p>

The components below can be ordered separately if needed.

<p>Optional Repair pen (Art.-Nr.)</p>	<p>Optional Repair spray (Art.-Nr.)</p>
----------------------------------------	------------------------------------------

Device dimensions



IMPORTANT INFORMATION

Please read these instructions on installation and operation carefully before installing the device and entering it into service. In doing so, damage that may arise due to improper installation or operation can be avoided.

SAFETY

Burn hazard

Please be aware that some components (heating door, handles etc.) get hot whilst the device is being used in heating mode and, as such, they may cause burns. Please use the protective glove provided when using the device.

Fire hazard

Please observe the safety distances for flammable components when installing the device.

It is forbidden to place any objects which are not resistant to heat on the stove. It is also prohibited to dry clothes on the stove. Clothes, or similar items, must be placed a sufficient distance away from the stove when drying.

Caution - children playing

Please note that the surface of the stove can become very hot when the device is being used. Make sure children are aware of the hazard and keep them away from the stove when it is being used.

Chimney connection

The stove should only be used after it has been properly connected to a chimney.

Using the stove

When the stove is in operation, it is forbidden to use highly flammable or explosive substances in the same, or in adjacent, rooms.

The stove should never be operated when the heating door is open.

Please make sure that the combustion air supply is sufficient by using an air inlet pipe with an appropriate design.

Labelling

Using the documentation provided, you may...

...safely operate the device

...carry out cleaning and maintenance work

Store this instruction manual in a safe location.

If the instruction manual goes missing, you can contact SCHIEDEL to order a new copy at any time.

Illustrations and simplified images are for general guidance. They are not true to scale.

Liability

In the event of bodily injury or material damage, the manufacturer may only be held liable if design faults are proven to exist.

The manufacturer shall bear no liability if...

...the device is not used as intended

...the device is not operated as intended

...maintenance work is inadequate

...the spare parts used are not original

...structural changes have been made to the device

Improper use

Using the device in any other way than that intended may result in life-threatening injuries and large-scale material damage. It may also mean that the guarantee or warranty become void.

Improper use includes...

...making any structural changes to the device.

...operating the device when it is not properly connected to the chimney.

...operating the device when the heating door is open

... operating the device without having read the instruction manual.

...using spare parts which are not original.

... using fuel which has not been approved

Information on legal regulations

Please observe the local, national and European regulations and standards which apply to the installation and operation of stoves.

Only use suitable fuel

Only use suitable fuel from a selection of environmentally-friendly, high-quality and dry varieties.

Chimney requirements

It must be ensured that any new or existing chimneys are suitable and ready for use before using the stove, or before entering it into service.

27.6.2023

Please ensure that the chimney is not blocked if the device is going to be stoked after it has not been used for a long time.

Multiple connections to the chimney

Multiple connections are only permitted when devices are in a non-roomsealed operating mode. National requirements must be observed.

Detailed information can be found on www.schiedel.com by reading the SCHIEDEL chimney documentation applicable for your country.

Regular cleaning and maintenance work

The stove, including all of the system components connected (e.g. the chimney,...) must be cleaned and serviced on a regular basis in order to make sure that the device remains functional and efficient.

Locking mechanism (spring lock and hinges) need to be lubricated with copper paste on demand or at least once a year.

Please check occasionally (about 2x per heating season) that the screws and nuts are securely attached to the glass retaining strips, door hinges and the handle mechanism. Please tighten loose screws and nuts very lightly by hand, if necessary with a wrench. If it is difficult to open or close the door, we recommend that the locking mechanism (spring lock and hinges) and the friction surfaces be slightly greased. Please use the enclosed copper paste or a heat-resistant grease (temperature-resistant up to 1,100 ° C; e.g. copper paste).

Spare parts and accessories

Only use original spare parts and accessories.

Original condition

The stove has been inspected in the form in which it is delivered and changes should not be made.

Proper installation & entering into service

The device is only considered safe if installed by a qualified specialist in accordance with the regulations and requirements applicable to the installation site.

Sufficient supply of fresh air

Please make sure that the room in which the stove has been installed has a sufficient supply of fresh air whilst the device is in heating mode.

If doors and windows are tightly closed, or if devices, such as extractor hoods, tumble dryers and fans, among other appliances, extract air from the room in which the device is situated, combustion air (fresh air) must be fed into the room from outdoors if need be.

Combustion air inlets must not be closed.

What to do in the event of a chimney fire

If the stove, chimney or connecting element is not cleaned on a regular basis, or if unsuitable fuel is used, residue may catch fire. This may cause a chimney fire.

Keep the heating door closed and set the air regulator to "0"! Move flammable parts away from the chimney!

Do not try and put the chimney fire out by throwing water on it under any circumstances.

--> Call the fire brigade!

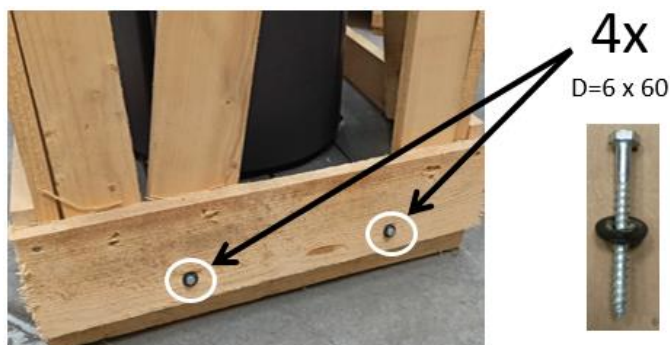
TRANSPORT / PACKAGING

The device is packaged in such a way so that it is well protected from getting damaged during transportation. However, there is a possibility that device and its accessories may still become damaged.



The plastic bag over the stove within the wooden crate protects the stove from rain and dirt during transport and storage.

Warning: Do not store the stove outside or use it in wet/humid environment to avoid corrosion.



To remove the wooden crate, four screws have to be removed (on each corner one).

After unpacking the device, please check carefully whether the device has been damaged during transportation and check whether all components are present.

PLEASE NOTE:

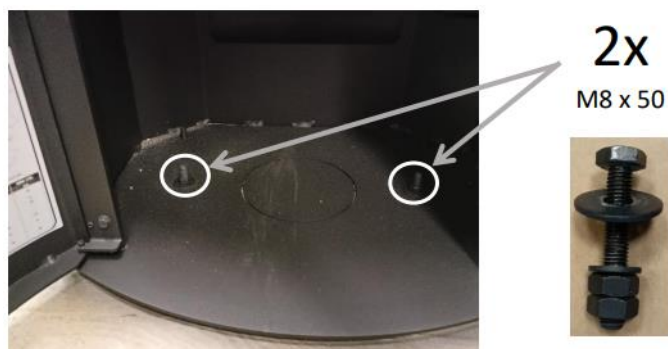
Any visible defects should be reported immediately! It is not possible to make complaints at a later date!

Modes of transport

The device may only be transported using vehicles with a sufficient load-bearing capacity.

Safety during transportation

The device is secured on the pallet using transport locking screws in the wood storage compartment (see image).



Transport on pallets:

Transport the device to the installation site on a pallet. Remove the transport lock in the wood storage compartment and lift the device off the pallet.

Transport on dollies:

The device may be placed on its back and transported using a dolly. Remove the transport lock and take the device to the installation site using the dolly. In order to prevent any damage to the paintwork, protect the rear side of the stove, with cardboard for example.

Serial number:

The serial number of the stove can be found (1) on the packaging label, (2) on the type plate that is stuck in the lower door or (3) on the type plate inside small plastic bag in combustion chamber.

SERIAL NR.:



2304353500101

PLEASE NOTE:

This serial number is required in case of any service support requested.

FUEL

Permitted fuel

The device is suitable **for burning firewood**.

Only small amounts of the following materials may be used for igniting purposes: bark, wood chippings, brushwood, wood shavings, sawdust and paper. When these types of fuel are set alight, large amounts of emissions and ash are discharged, with little heat being generated.

Wood

The water content of firewood should be around 20% of its dry weight. Firewood should also be 1/3m long and chopped into small pieces. In this way, the pieces of wood catch fire quickly and generate a higher heat output than if the same amount of wood were used in larger pieces. Spruce, pine and alder can be stored outdoors for 2 years, whilst hardwood can be stored for 3 years (under cover!).

The following table shows the impact of the water content of wood on its heat value:

Wood storage	Water content (%)	Heat output (kWh/kg)
Straight from the woods	50	~2,3
Stored over the winter	40	~2,7
Stored over the summer	18-25	~3,4
Air-dried	15-20	~4,2

Unauthorised fuel

Surface-treated wood (veneered, varnished, waterproof coating, etc.), damp wood, chipboard,

flammable liquids, any type of waste (packaging waste), plastics, newspapers, rubber, leather, fabrics, etc. Burning these kinds of materials pollutes the environment very badly. Furthermore, it may cause damage to the device and chimney.

Burning charcoal is not permitted. The device has not been verified for use with this kind of fuel and, as such, it may cause damage to the device and is not covered by the guarantee.

PLEASE NOTE:

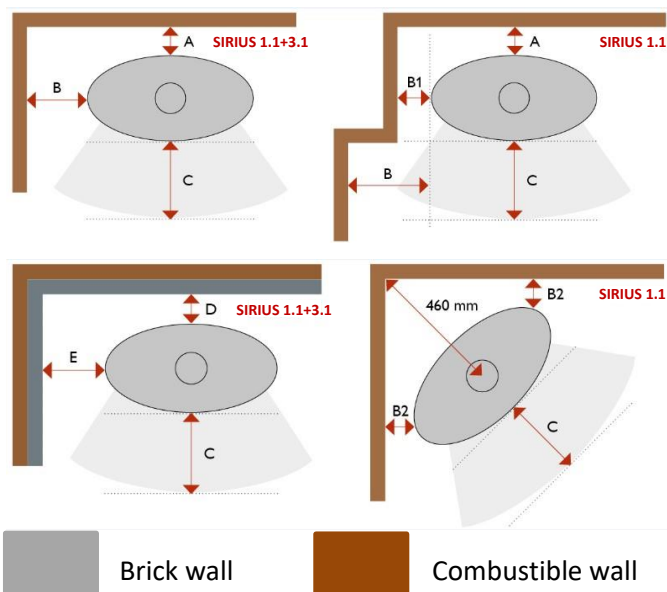
If unauthorised and low-quality fuels are used, we reserve the right to withdraw the guarantee and warranty claims!

INSTALLATION

Minimum distances

The stove is designed to be a free-standing indoor device. It must be installed at the following minimum distances from heat-sensitive components (wood partitions, furniture, decorative fabrics,...):

Minimum distances		SIRIUS 1.1 mm	SIRIUS 3.1 mm
A	w. flue tube, single walled	120	100
A	w. double wall concentr. system	50	60
B	Always	250	350
B1	Always	150	-
B2	Always	120	-
C	Always	950	800
D	w. flue tube, single walled	50	50
E	w. flue tube, single walled	100	200



Installation in a stove niche

It is only permitted to install the stove in a stove niche, built using non-flammable components (e.g. in an

inoperative, open fireplace) and with a flue pipe connection which leads upwards into the chimney, if there is a minimum distance of at least 5cm from the sides.

Floor protection

If the floor is made from flammable material (floors made from wood, synthetic materials, carpets, ...), a spark arrestor plate made from toughened glass, or any other non-flammable material, should be used.

This base must have the following minimum dimensions, with the opening of the combustion chamber as the starting point:

- Front 50 cm
- Side 30 cm

Connecting element

The following minimum distances to flammable materials must be observed when using a single-walled flue pipe to connect the stove with the chimney:

- Wall clearance 20 cm
- Ceiling clearance 40 cm

Chimney

It must be ensured that any new or existing chimneys are suitable and ready for use before using the stove, or before entering it into service.

Please ensure that the chimney is not blocked if the device is going to be stoked after it has not been used for a long time.

Multiple connections to the chimney

Multiple connections are only permitted when devices are in a non-roomsealed operating mode. National requirements must be observed.

Detailed information can be found on www.schiedel.com by reading the SCHIEDEL chimney documentation applicable for your country.

Room-sealed operation

SCHIEDEL RECOMMENDS USING THE STOVE AIR INDEPENDENT WITH AN AIR FLUE GAS CHIMNEY

As modern or refurbished houses have a highly dense construction, it often means that there is not enough interior air for combustion.

The SIRIUS stove has been certified as a room-sealed stove as per the DIBt (*Deutschen Institutes für Bautechnik, German Institute for Structural Engineering*) eligibility criteria.

As such, the stove can be used, by and large, regardless of the air and pressure rations in the room where it has been installed.

Generally speaking, it is safe to use these kinds of room-sealed stoves if the building has a controlled ventilation system as they are characterised by their largely compact design and self-closing doors.

If the structural conditions mean that room-sealed operation is impossible, it is also possible for the SIRIUS stove to draw the combustion air from the room where it has been installed (non room-sealed operation).

In this case, the user should ensure that the air supply in the room where the device has been installed is sufficient.

Connection variants

1.) Connection to the SCHIEDEL **Permeter Smooth Air System**

Combustion air comes directly **from above**
Emissions exit directly **upwards**

PLEASE NOTE:

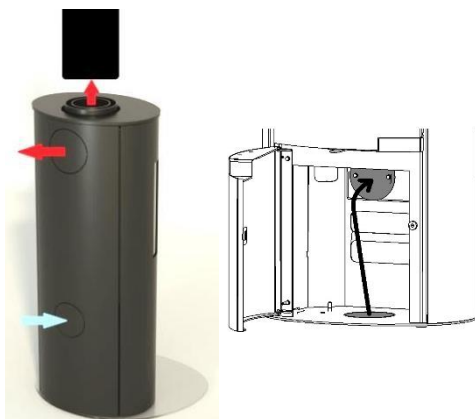
This is the standard delivery condition.



2.) **Combustion air** comes from the **rear** or from **below** (changing to this variant as described in related paragraph)

The connecting element is 100 mm in diameter. The air pipe used by the customer should be airtight.

Emissions exit directly **upwards** or **to the rear** via single-walled flue pipes (150 mm in diameter).



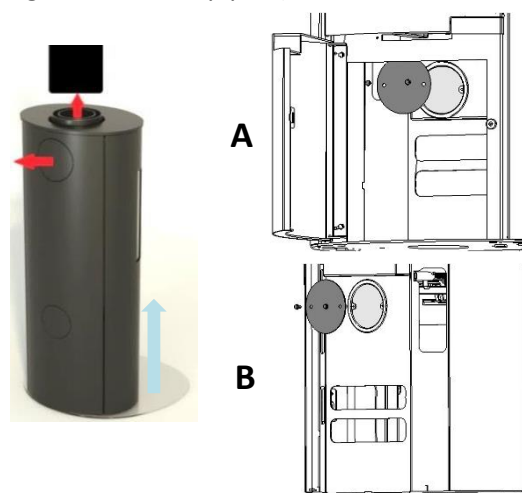
3.) **Combustion air** comes **from the room** where the device has been installed (not recommended by SCHIEDEL) (changing to this variant as described in

related paragraph – combustion air feed from below)

No separate air supply connection necessary. Is necessary to remote the cover inside the wood storage (pic. A) or the rear cover (pic. B).

Combustion air is extracted from the room where the device has been installed via the bottom of the device – open windows regularly, this is mandatory, especially for extremely tight houses.

Emissions exit directly **upwards** or **to the rear** via single-walled flue pipes (150 mm in diameter).

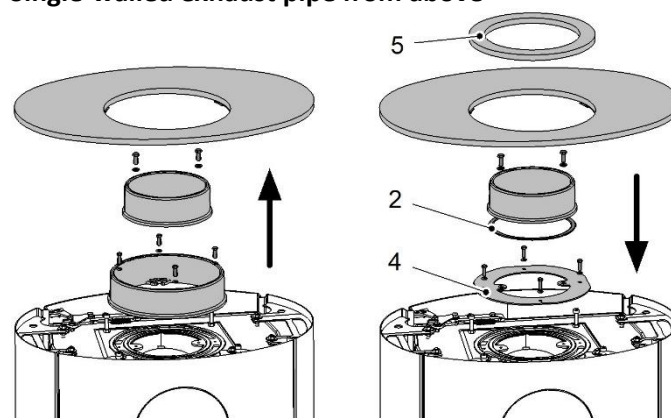


Changing the combustion air feed/exhaust extraction pipe

The device comes delivered with an upper combustion air feed/exhaust extraction pipe as standard. Tools required to make any alterations:

- Socket wrench
- Cutting pliers

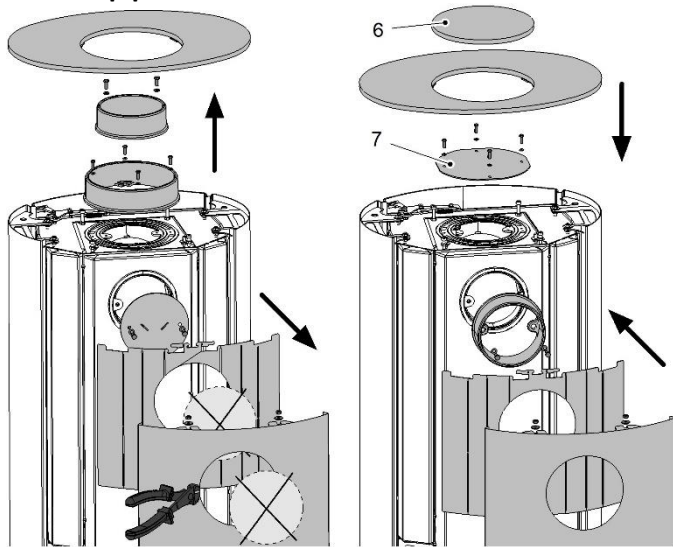
Single-walled exhaust pipe from above



1.) Remove the top plate and take off the outer air inlet and inner flue tube supports.

2.) Stick the (accessory component 2, see page 5) onto the inner flue tube support and attach it to the stove, together with the cover (4). Put back the top plate on and use the ring for the top plate (5).

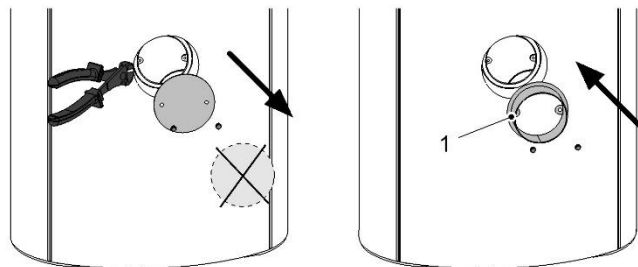
Exhaust pipe from the rear



1.) Remove the top plate and take off the outer air inlet, inner flue tube supports, the rear exhaust cover and rear shielding. Remove the rear wall from the stove and cut out a hole for the rear exhaust using cutting pliers in to rear wall and in rear shielding.

2.) Put the inner flue tube support on the rear exhaust and get the rear wall and the rear shielding back. Cover the upper exhaust with the cover for the upper flue pipe (accessory component 7, see page 5). Put back the top plate on use the cover for the top plate (6).

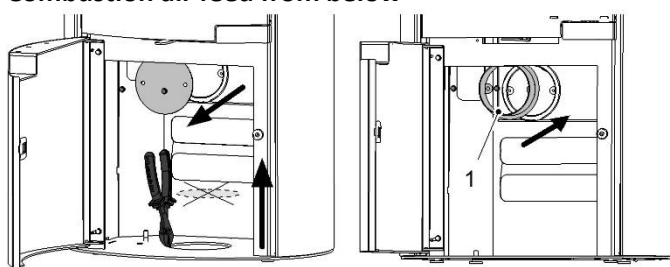
Combustion air feed from the rear



1.) Carefully remove the rear supply air cover using cutting pliers. Then screw off the rear lid.

2.) Screw on connecting element for the central air inlet (100 mm) (accessory part 1).

Combustion air feed from below



1.) Carefully remove the bottom supply air cover using cutting pliers. Then screw off the inner lid.

2.) Screw on connecting element for the central air inlet (100 mm) (accessory part 1).

OPERATION

Heating door

The device has a self-closing door. Simply pull on the door handle in order to open the heating door, hold the door handle to load fuel or activate/deactivate the interlock mechanism and leave out door handle to activate the self-closing mechanism.

Setting for the combustion air

For optimal combustion, a certain amount of wood requires a certain amount of oxygen. If the amount of air supplied to the wood is smaller than that need for a clean and efficient combustion process, the device will generate less energy (device protected from overheating as far as possible) - the unused "wood gas" escapes through the chimney; the result: the device is less effective and the environmental footprint is higher.

PLEASE NOTE:

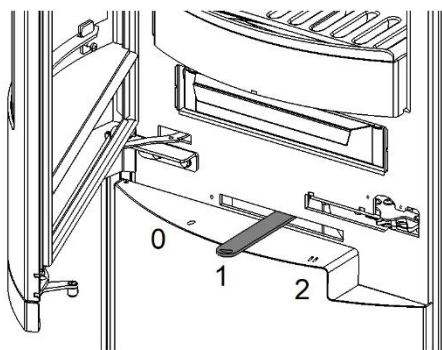
It is strictly necessary to observe the recommended fuel quantities and air settings!

The primary air entering into the combustion chamber from below via the grate is responsible for performance, as it generates most of the heat that leads to "wood gasification". This wood gas is burnt in a clean and efficient manner thanks to pre-heated secondary air.

The secondary air comes from above and flows along the combustion chamber door (or window) and over the fuel in the combustion chamber. An accurate mixture of wood gas and hot secondary air creates an optimal combustion process - and in turn excellent use of fuel. Nature will thank us for it!

Setting for the air lever to control flow of combustion air

The supply of the primary and secondary air required for combustion is regulated using the air lever to control flow of combustion air. This determines the burning rate and, as such, the amount of heat output by the device.



Device set to "0"

When set to "0", the air feed is closed and no combustion air is supplied = this should be the setting if the device is not going to be used for long periods (e.g. in summer).

Heat setting "1"

When set to "1", primary and secondary air is supplied in a ratio optimal for a clean combustion process = setting to operate the device at nominal capacity.

Heat setting "2"

A large amount of combustion air is needed in the igniting phase in particular and the lever should be pushed all the way to the right to setting "2" = maximum supply of primary and secondary air.

PLEASE NOTE:

Setting "2" should only be selected for igniting purposes!

Window cleaning air

Window cleaning air is very important to keep the window clean, whilst at the same time acting as secondary air in order to create an optimal combustion process low in emissions. It flows right in front of the window in the combustion chamber and takes part in the combustion process at this location. In doing so, the window is kept as clean as possible.

If, despite this, the window becomes dirty, this dirt can be removed using glass cleaner which is specially designed for oven and stove glass when the device has cooled. Please find more information in the section on Cleaning and Maintenance.

INITIAL OPERATION

Entering the device into operation for the first time

PLEASE NOTE:

Before entering the device into operation for the first time, it is necessary to inspect all system connections (flue pipe connection, combustion air connection, ... etc.).

Please make sure that there are no objects in the combustion chamber.

After the device has been installed and connected, and before it is entered into service for the first time:

- open the door of the combustion chamber and remove the accessories.

After you have familiarised yourself with how to operate the device, it can be entered into service.

During the first 2-3 days, only heat with low output.

Information on odours

A high-quality, air-drying varnish is used on the device. If this varnish is completely dry (at room temperature), it is practically odourless and smoke-free. However, if the device is heated before the varnish is completely dry, it may result in an unpleasant, yet harmless, smoke or odour being produced for a short time. Make sure that the room where the device has been installed is well ventilated!

Information on noises

The device may emit cracking noises due to the heating and cooling processes. These are caused by the enormous temperature differences in the material and do not indicate a fault with the device.

Information on combustion chamber lining

If the conditions for combustion are unfavourable (e.g. if the combustion chamber is cold during the heating stage, ...) a layer of black soot may form on the combustion chamber plate.


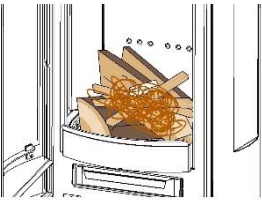
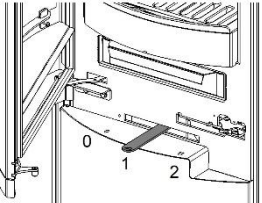

This does not indicate any fault with the device. After operating temperature has been achieved, the soot deposits will burn off - the combustion chamber plate will become light again.

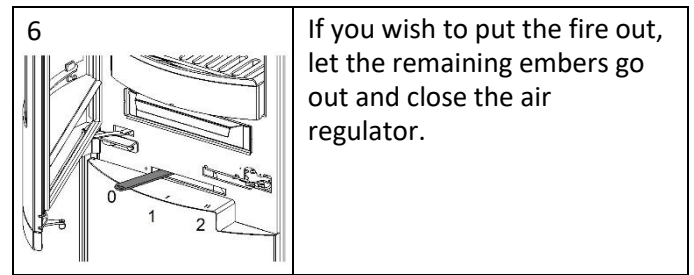
However, if dirt does not come off the combustion chamber plate, please refer to the information in the section "Troubleshooting".

Locking mechanism (spring lock and hinges) needs to be checked and maybe lubricated with copper paste.

HEATING CORRECTLY

	<p>1</p> <p>To start the heating process, move the combustion air regulator above the combustion room door onto "Ignite".</p> <p>Move the air regulator above the combustion chamber from position 0 to position II. Doing</p>
--	--------------------------------------------------------------------------------------------------------------------------------------------------------------------------------------------------------------------------------

	<p>so will fully open the air supply.</p>
<p>2</p> 	<p>Now pile two to three dry wooden logs (not too thick, girth smaller than 20cm) on top of each other in the combustion chamber.</p> <p>Then put wood shavings, or kindling wood which has been cut approximately as thick as a finger, onto the wood pile.</p> <p>Lay I - II firelighters on top. You can use firelighting cubes or sachets, or fire starters made from wood shavings, for example.</p>
<p>3</p> 	<p>Ignite the fire at the top using a long matchstick, for example. Then close the door to the combustion chamber. You will start to see flames appear in the combustion chamber after just a short period.</p>
<p>4</p> 	<p>When all the pieces of wood are burning, reduce the air supply by setting the regulator to "Heating mode". Move the air regulator above the combustion chamber from position II to position I.</p>
<p>5</p> 	<p>You should top the fire up when glowing embers remain and you can only see small flames.</p> <p>In order to avoid smoke escaping from the device, open the door slowly. Top the fire up with a maximum of two small wooden logs, cleaved edge facing downwards.</p> <p>Under no circumstances should fuel be thrown into the combustion chamber. This may damage the combustion chamber lining and cause embers to fall out of the chamber.</p>

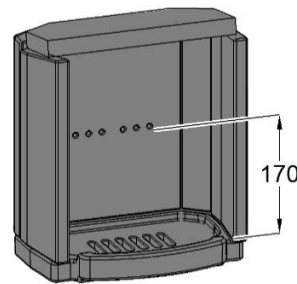


If you wish to put the fire out, let the remaining embers go out and close the air regulator.

Fuel amounts

The recommended filling quantity for nominal heat output are specified in the following table:

Recommended filling quantity	2-3 logs, max. 2 kg
Combustion period	approx. 60 min
Heat output	Nominal output
Maximum fill level	170 mm



The maximum level to which fuel can be filled in the combustion chamber is limited to 170 mm due to openings for the air supply on the rear wall.

PLEASE NOTE:

If the recommended filling quantity is exceeded, damage may be caused due to overheating! If the device casing becomes yellow or discoloured, if the combustion chamber lining, door lock or chamber window pane is damaged, these are all signs that the device is being misused. window pane is damaged, these are all signs that the device is being misused.

Heating in the transitional period

If outdoors temperatures are above 15°C, there is the risk that the fire will only be moderate due to the chimney's low supply pressure.

This results in an increased build-up of soot in the device flues and chimney. Increase the supply of air, stoke the fire more often and top up the fire with logs more often (with smaller wooden logs) in order to reduce the build-up of soot in the transitional period.

CLEANING AND MAINTENANCE

Burn hazard

Please let the device cool before cleaning to prevent contact with embers or hot components!

It is particularly important to clean, maintain and service the device, hot gas flues and chimney on a

regular basis in order to ensure that the device is safe to operate, efficient and retains its value. A deep clean should be performed after every heating period, as well as if the device has been left unused for a long period of time. If the device is used frequently, or if poor quality fuels are used, perform a deep clean more often as appropriate.

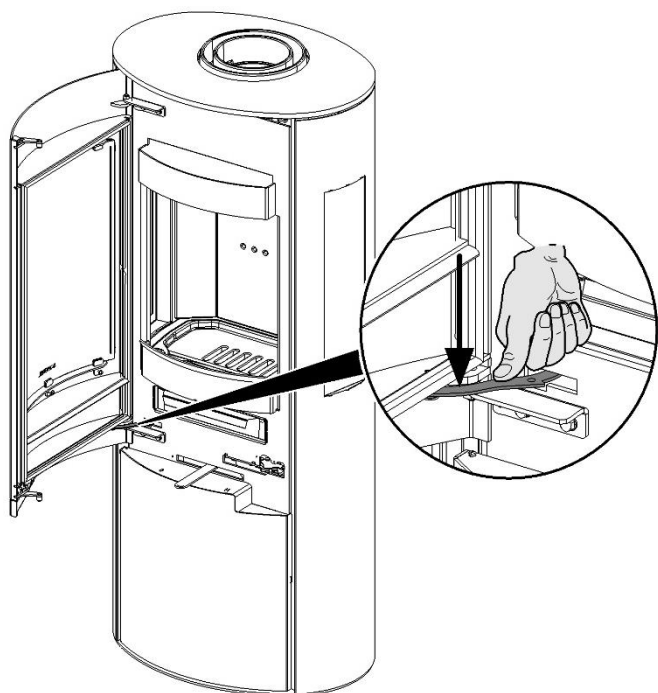
Always check each seal when cleaning the device - if any one is damaged, it should be replaced. Pay particular attention to ensuring that all air supply openings (slits on the ash grate/container openings) are not blocked.

Get a specialist to inspect your stove on a regular basis (by the customer service team/chimney sweep).

How to fix the heating door

You can fix the heating door for the combustion chamber in open position in order to make the cleaning process more convenient. A catch can be used to lock the door in open position.

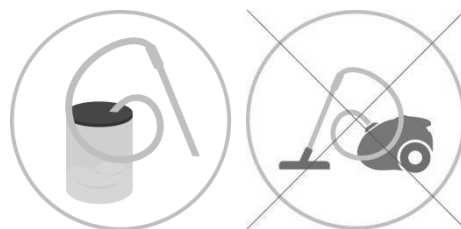
To keep the door in the open position pull the closing mechanism lever.



Warning! Never leave the door in the secured open position during heating.

Cleaning with an ash vacuum

Using an ash vacuum makes cleaning the device particularly convenient. Leave the device to cool down completely and use an ash vacuum to clean.



Cleaning varnished surfaces

Wipe down varnished surfaces with a damp cloth. Do not scour. Do not use any detergents which contain solvents (e.g. glass cleaner etc.).

Please note that highly heat-resistant varnish is less resistant to corrosion. If too much water is used to clean the device or adjoining components, a film of rust may form.

Avoid direct contact with water, cleaning supplies, scouring milk or solvent.

In case of scratches, original repair pens or sprays can be used (see accessories).

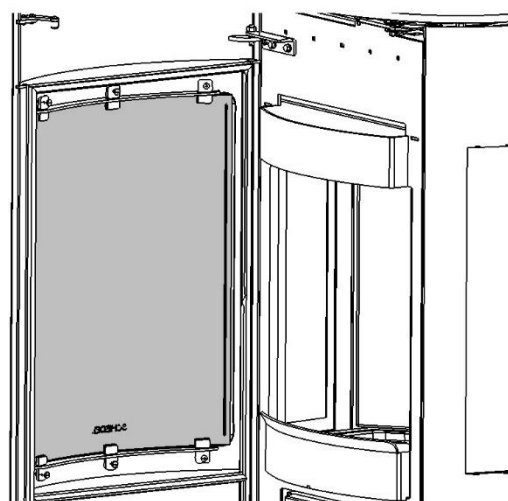
Cleaning the window

Secondary air forms a curtain of hot air in front of the window (rinsing), if the fire has been properly created.

This means that less soot forms on the window of the heating door.

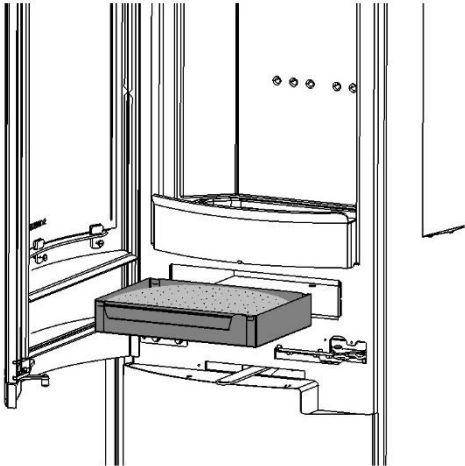
If ash particles settle on the window despite this, we recommend using a standard stove window cleaning agent.

A tried and tested cleaning procedure that is environmentally friendly: moisten a ball of newspaper or kitchen roll and dip it into the cold wood ash. Rub the inside of the heating door window. Wipe with a dry bunch of paper.



Cleaning the combustion chamber

■ Ash grate and container



PLEASE NOTE:

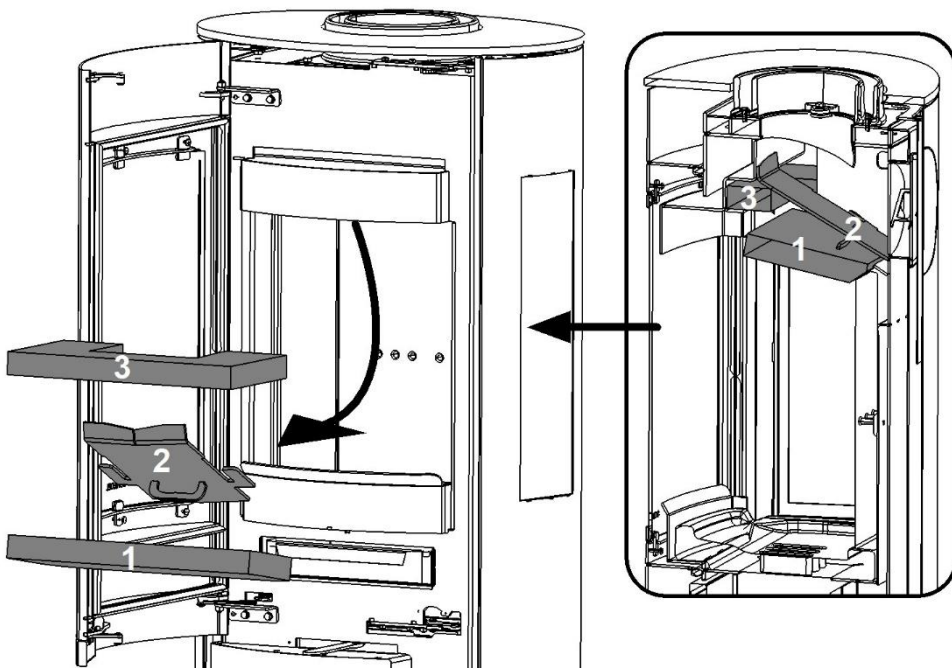
Do not empty the ash container when it is hot! Please note that seemingly cold ash may still contain small embers. In order to avoid starting a fire, it is recommended to place ash into a suitable metal container before throwing it away.

Wipe the ash into the ash container through the slits of the grate. Remove cinders, encrustations and other deposits created due to combustion from the air slits in the grate.

Empty the ash container on a regular basis and on time - the cone of ash should not block the primary air openings in the grate!

■ Flue gas ducts

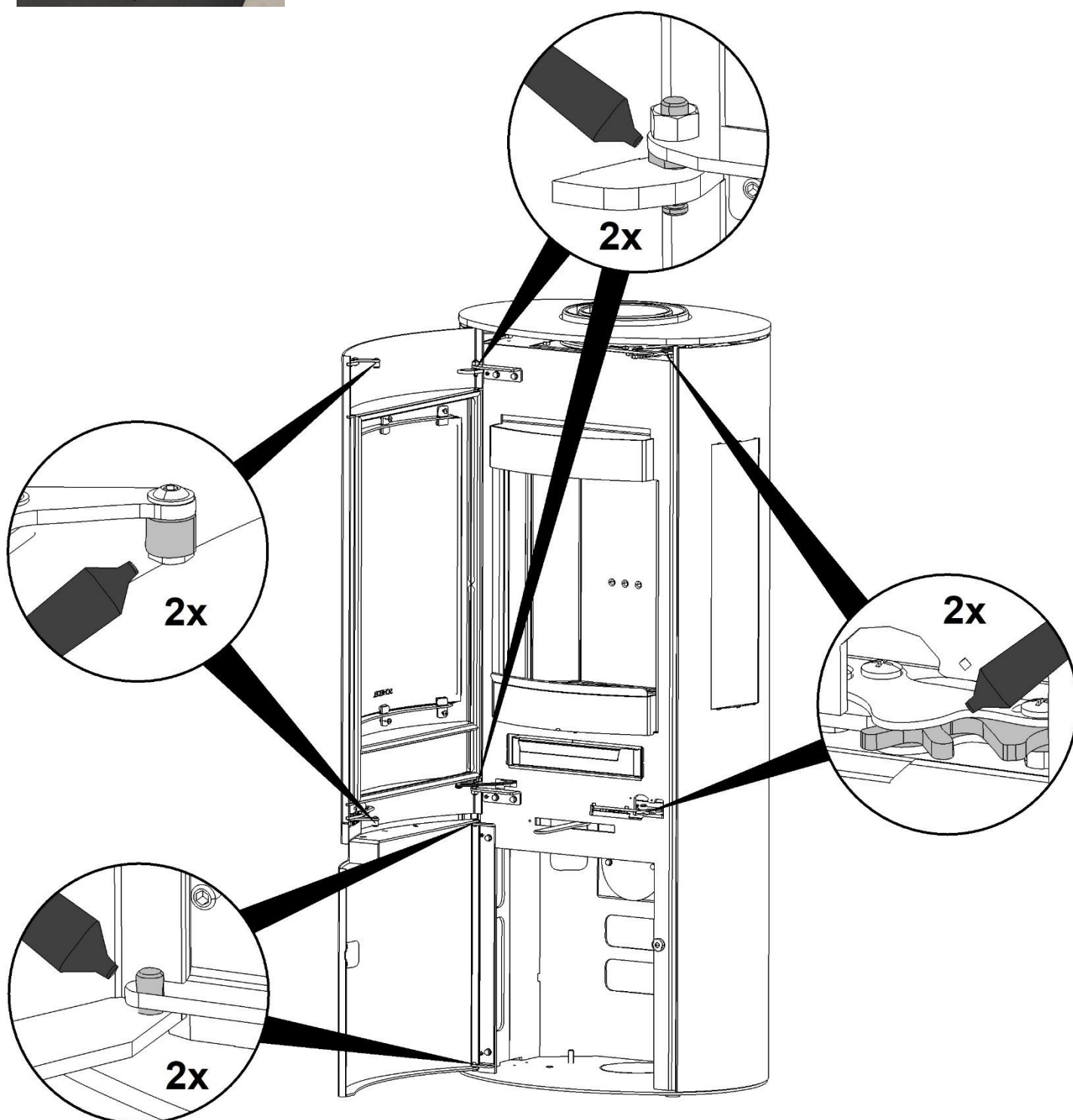
Take out obstacles (pos. 1, 2, 3) of the combustion chamber (see pictures), only when the device is cold! Remove any residual flue ash at regular intervals (especially important before the hot season). This is easiest to do with an ash vacuum.



Lubricating the locking mechanism

Locking mechanism (spring lock and hinges) need to be lubricated with copper paste on demand or at least once a year. It is proposed to use a cotton swab or a small brush to apply the copper paste. (See pic.)

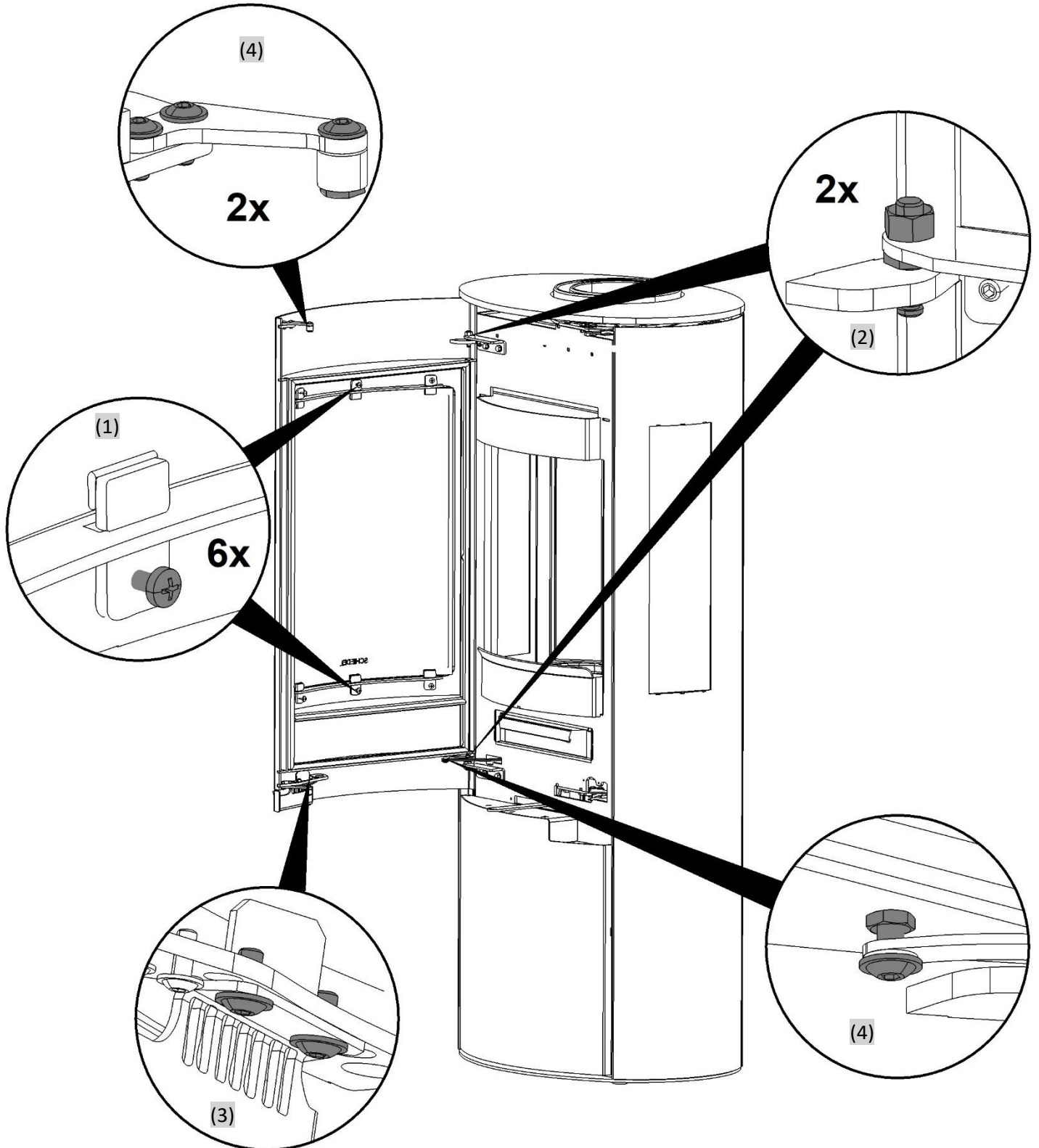
Warning! Do not close the heating door with the spring lock mechanism in closed position as damages can occur.



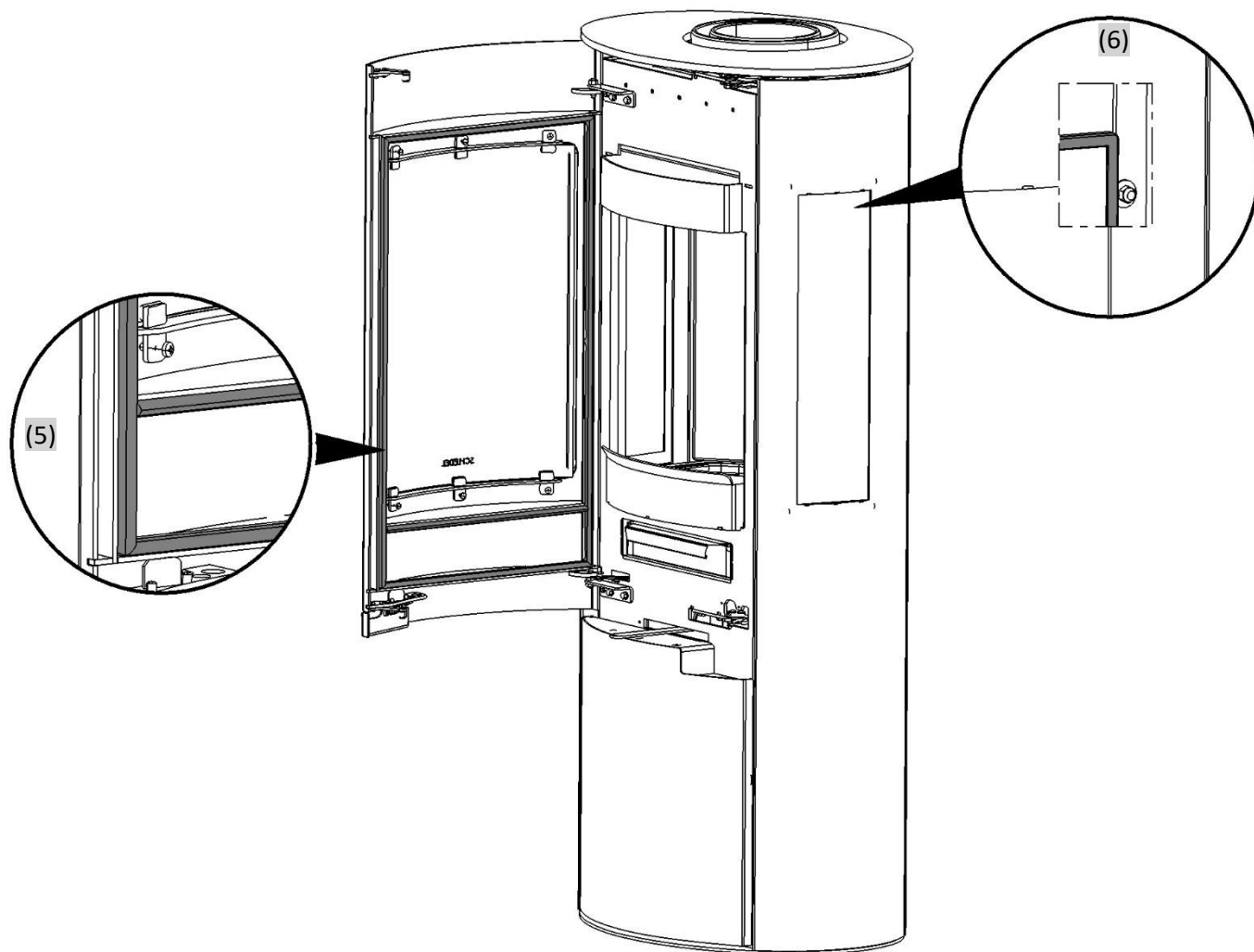
Special care and maintenance instructions

Please check occasionally (about 2x per heating season) that the screws and nuts are securely attached to the (1) glass retaining strips, (2) door hinges, (3) handle mechanism and the (4) locking mechanism (see pic.). Please tighten loose screws

and nuts very lightly by hand, if necessary with a wrench. If it is difficult to open or close the door, we recommend that the locking mechanism (spring lock and hinges) and the friction surfaces be slightly greased. Please use the enclosed copper paste or a heat-resistant grease (temperature-resistant up to 1,100 °C; e.g. copper paste).

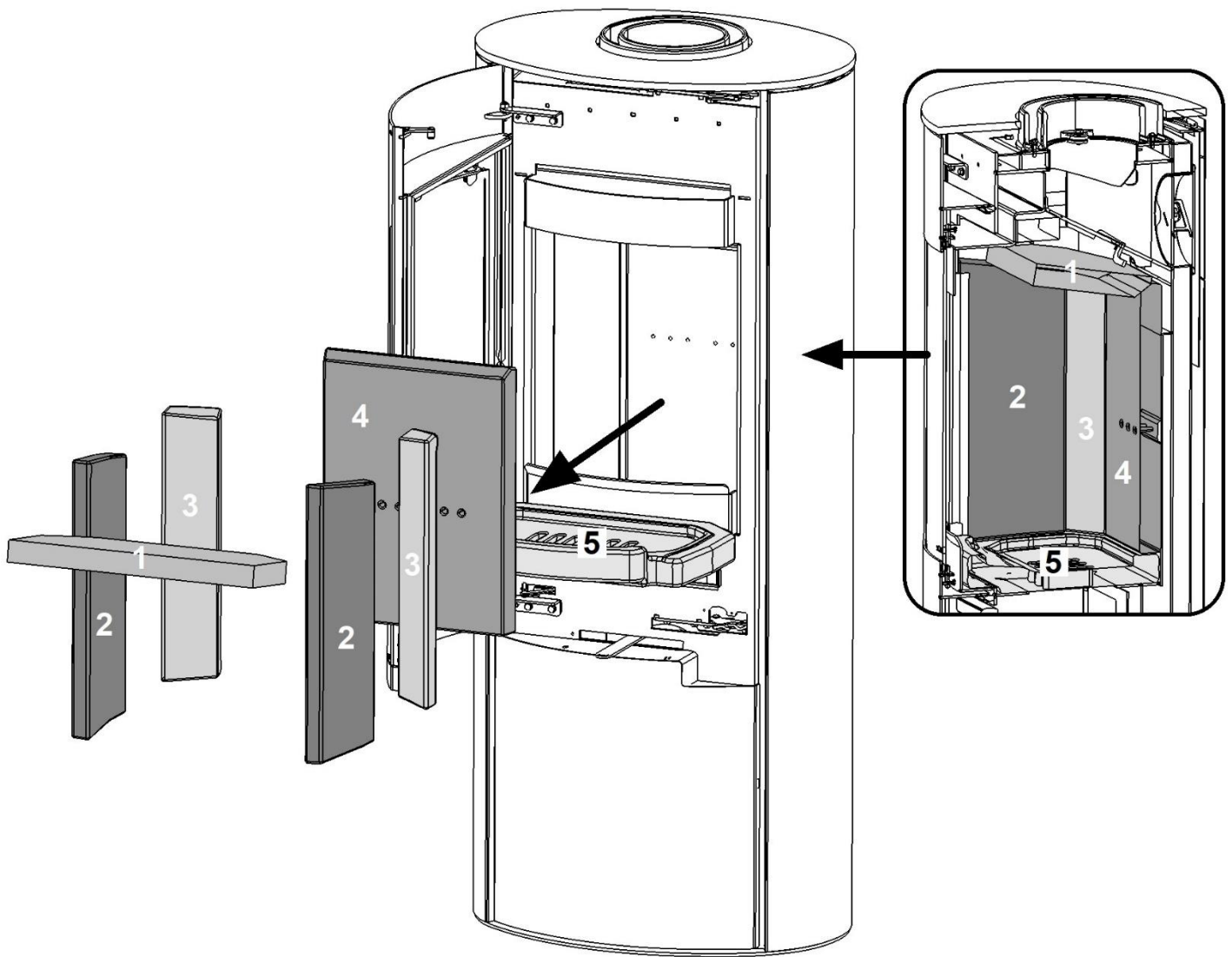


Always check the door seal (5) at least once a year, preferably after the heating season. If the seal is damaged or in the wrong position, it will need to be replaced. Also check the tightness of the side windows (6) - only on SIRIUS 3.1.



Replacement of lining

In case of damage to any part of the lining, it is necessary to replace it with a new one. Follow the step-by-step depicted in the picture.



TROUBLESHOOTING

PLEASE NOTE:

In the event that an error occurs, (overloading, ...) set the air regulator to "0" and keep the door to the combustion chamber closed. Do not add any more fuel!

In the event of damage or potential fire, leave the building immediately and call the fire brigade!

PROBLEM	CAUSE	SOLUTION
Window gathers soot too fast		In principle: every glass panel must be cleaned from time to time (depending on usage) (please refer to the section 'Cleaning the window')
	Poor flue draught	Clear with a chimney sweep (possibly make the chimney longer/measure the draught)
	Air regulator used incorrectly	It is strictly necessary to use the air regulator as specified in the instruction manual. If secondary air is blocked, the window will gather soot very quickly. However, this can burn off itself if the device is used correctly.
	Wooden logs are too large, too much fuel, damp wood, incorrect fuel	See the section on "Heating correctly"
	Operating temperature was not reached	Use more fuel, dry wood (< 15 % residual moisture), please pay attention to the air regulation
Stove is not extracting properly	Insufficient flue draught	Clear with a chimney sweep (possibly make the chimney longer/measure the draught)
	Stove has soot inside	Use more fuel, dry wood (< 15 % residual moisture), please pay attention to the air regulation See the sections on "Heating correctly" and 'Cleaning and Maintenance'
Stove has a strong smell and smoke is escaping	Varnish burning phase	The varnish will give off a smell during the first heat cycle!
	Stove is dusty/dirty	Please clean before the season!
Exhaust fumes escape when topping up the fire and during the heating stage	Chimney draught is too little, flue pipe connection is not airtight	Check connection points and reseal where necessary Check the chimney draught, check the device is working
	Heating door is opened too quickly when topping up the fire	Open the heating doors slowly when topping up the fire
	Heating door opened before the fire has burned down	Only add more fuel to the fire when there are only embers left (no visible flames)

TECHNICAL DATA

Type testing / Quality seal

The SIRIUS 1.1 & SIRIUS 3.1 room-sealed wood stoves from SCHIEDEL have been certified according to the following testing principles:

- EN 13240 (Room heaters fired by solid fuel)
- Certification principles for the inspection and evaluation of room-sealed stoves for solid fuel, DIBt Berlin (DIBt-Mitteilungen 3/2015 – Type CA as per EN 16510-1)
- Agreement as per art. 15a B-VG on the protective measures for small-scale furnaces
- 1. and 2. level of 1. BImSchV Germany, clean air regulation of Switzerland, royal decision Nr. 2010-3943 (level 1, 2 and 3) of Belgium and BS/PD 6434:1969 (CEN TS 15883) for UK (DEFRA)
- NS 3058 (NS 3059) inspection of a room heater as per the requirements set out in the Norwegian standard

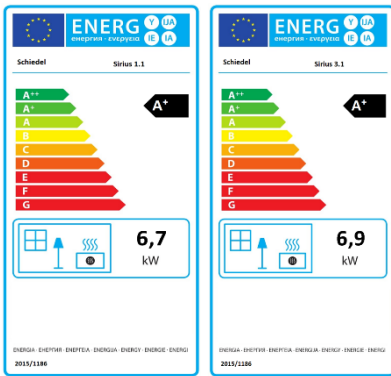
The exhaust gas values stipulated in the following standards and regulations have been observed: the Regensburger standard, Stuttgarter standard, Munich.

The device was type-tested at the SZÚ Brno (CZ) and Danisch Technological Institute (DK) / Test report number: 1015-CPR-30-16464/TZ, 30-14464/T and 300-ELAB-2628-NS

	SIRIUS 1.1	SIRIUS 3.1
Dimensions W x H x D	522 x 1208 x 382 mm	522 x 1208 x 382 mm
Size of the combustion chamber W x H x D	340 x 390 x 250 mm	380 x 390 x 250 mm
Diameter of the flue pipe outflow	150 mm	150 mm
Diameter of fresh air connection	100 mm	100 mm
Nominal heat output	6 kW	6 kW
Indoor heat output	6,7 kW	6,9 kW
CO emissions (with 13% O ₂)	489 mg/m ³	348 mg/m ³
NO _x emissions (with 13% O ₂)	135 mg/m ³	130 mg/m ³
OGC emissions (with 13% O ₂)	26 mg/m ³	16 mg/m ³
Emission of dust (with 13% O ₂)	32 mg/m ³	19 mg/m ³
Emission of dust (NS 3058)	3,09 g/kg	3,09 g/kg
Efficiency	80,8 %	82 %
Exhaust fume temperature (exhaust gas outlet)	321 °C	311 °C
Exhaust fume mass flow (when heat output is nominal)	5,1 g/s	5,3 g/s
Stove draught requirement (when heat output is nominal)	12 Pa	12 Pa
Leakage rate	≤ 2,00 m ³ /h at 10 Pa	≤ 2,00 m ³ /h at 10 Pa
Weight	133 kg	130 kg
Room-sealed operation possible	Yes	Yes
Non room-sealed operation possible	Yes	Yes
Energy efficiency index (EEI)	107,2	108,9
Energy efficiency class	A+	A+

Energy label & Product fiche & Technical Documentation

The energy label is placed inside a small plastic bag inside the combustion chamber.



Product fiche

Delegated Regulation (EU) 2015/1186		
Supplier name or trademark		Schiedel
Model identifier		Sirius 1
Energy Efficiency Class		A+
Direct heat output		5,4 kW
Indirect heat output		- kW
Energy Efficiency Index		112
Useful Energy Efficiency (at nominal heat output)		84,0 %
Useful Energy Efficiency (at minimum load)		- %
Specific precautions		-

Product fiche

Delegated Regulation (EU) 2015/1186		
Supplier name or trademark		Schiedel
Model identifier		Sirius 3
Energy Efficiency Class		A+
Direct heat output		5,0 kW
Indirect heat output		- kW
Energy Efficiency Index		109
Useful Energy Efficiency (at nominal heat output)		82,0 %
Useful Energy Efficiency (at minimum load)		- %
Specific precautions		-

Technische Dokumentation zu Festbrennstoff-Einzelraumheizgeräten nach Verordnung (EU) 2015/1185 und Verordnung (EU) 2015/1186

Kontaktangaben des Herstellers oder seines autorisierten Vertreters

Hersteller:	Schiedel
Kontakt:	Vorname und Name Straße und Hausnummer
Anschiff:	PLZ und Stadt Land

Angaben zum Gerät

Modellkennungen:	Sirius 1
Gleichwertige Modelle:	-
Prüfberichte:	RRF - 40 17 4787-2, RRF - DP DP 20 5449
Angewandete harmonisierte Normen:	EN 13240:2001/A2:2004/AC:2007 Art. 158 B/V/3, 1; BimSchiff 1/2; Stufe; DIBt; Mitteilungen 3/2015, Nr. 2021-3643 (Stufe 1, 2 und 3), NS 3058-1; June 1994, NS 3058-2; June 1994, NS 3059; October 1994, CEN TS 15883, BS/DP 5434-1989, FprEN 16510-1:2018
Andere angewandete Normen/techn. Spezifikationen:	Nein
Indirekte Heizfunktion:	Nein
Direkte Wärmeleistung:	5,4 kW
Indirekte Wärmeleistung ¹⁾ :	- kW

Eigenschaften beim Betrieb mit dem bevorzugten Brennstoff

Raumheizungs-Jahresnutzungsgrad η_{R}	74,0 %
Energieeffizienzkennwert (EEI)	111,8
Besondere Vorkorrekturen bei Zusammenbau, Installation oder Wartung	
siehe Bedienungsanleitung	

Ort, Datum Unterschrift der zeichnungsberechtigten Person

Datum 11/2021

Technische Dokumentation zu Festbrennstoff-Einzelraumheizgeräten nach Verordnung (EU) 2015/1185 und Verordnung (EU) 2015/1186

Brennstoff	Bevorzugter Brennstoff (nur einer?)	Sonstige(r) geeignete(r) Brennstoff(e)	η_{R} (%)	Raumheizungs-Emissionen bei Nennwärmeleistung ¹⁾				Raumheizungs-Emissionen bei Mindestwärmeleistung ²⁾				
				CO	CO ₂	NO _x	PM ₁₀	CO	CO ₂	NO _x	PM ₁₀	
Scheitholz, Feuchtkitgelagerter + 2%	ja	nein	74,0	18	21	500	106	-	-	-	-	-
Pressholz, Feuchtkitgelagerter + 12 %	nein	ja	74,0	18	21	500	106	-	-	-	-	
Sonstige holzartige Biomasse	nein	nein	Wert	Wert	Wert	Wert	Wert	Wert	Wert	Wert	Wert	
Nicht-holzartige Biomasse	nein	nein	Wert	Wert	Wert	Wert	Wert	Wert	Wert	Wert	Wert	
Antrazit und Trochsenkohle	nein	nein	Wert	Wert	Wert	Wert	Wert	Wert	Wert	Wert	Wert	
Steinkohlekoks	nein	nein	Wert	Wert	Wert	Wert	Wert	Wert	Wert	Wert	Wert	
Schwelecks	nein	nein	Wert	Wert	Wert	Wert	Wert	Wert	Wert	Wert	Wert	
Braunkohle	nein	nein	Wert	Wert	Wert	Wert	Wert	Wert	Wert	Wert	Wert	
Braunkohlekoks	nein	nein	Wert	Wert	Wert	Wert	Wert	Wert	Wert	Wert	Wert	
Turfbriketts	nein	nein	Wert	Wert	Wert	Wert	Wert	Wert	Wert	Wert	Wert	
Briketts aus einer Mischung aus fossilen Brennstoffen	nein	nein	Wert	Wert	Wert	Wert	Wert	Wert	Wert	Wert	Wert	
Sonstige fossile Brennstoffe	nein	nein	Wert	Wert	Wert	Wert	Wert	Wert	Wert	Wert	Wert	
Briketts aus einer Mischung aus Biomasse und fossilen Brennstoffen	nein	nein	Wert	Wert	Wert	Wert	Wert	Wert	Wert	Wert	Wert	
Sonstige Mischung aus Biomasse und fossilen Brennstoffen	nein	nein	Wert	Wert	Wert	Wert	Wert	Wert	Wert	Wert	Wert	

Eigenschaften beim ausschließlichen Betrieb mit dem bevorzugten Brennstoff³⁾

Angabe	Symbol	Wert	Einheit	Angabe	Symbol	Wert	Einheit
Wärmeleistung				Thermischer Wirkungsgrad (Brennstoffwirkungsgrad) (auf Grundlage der NCV)			
Nennwärmeleistung	P_{Nenn}	5,4	kW	Thermischer Wirkungsgrad (Brennstoffwirkungsgrad) bei Nennwärmeleistung	η_{Nenn}	84	%
Mindestwärmeleistung (Richtwert)	P_{min}	N.A.	kW	Thermischer Wirkungsgrad (Brennstoffwirkungsgrad) bei Mindestwärmeleistung (Richtwert)	η_{min}	N.A.	%

Ort, Datum Unterschrift der zeichnungsberechtigten Person

Datum 11/2021

Technische Dokumentation zu Festbrennstoff-Einzelraumheizgeräten nach Verordnung (EU) 2015/1185 und Verordnung (EU) 2015/1186

Angabe	Symbol	Wert	Einheit	Art der Wärmeleistung/Raumtemperaturkontrolle (Bitte eine Möglichkeit auswählen)	
Hilfsstromverbrauch					
Bei Nennwärmeleistung	P_{Nenn}	N.A.	kW	einstufige Wärmeleistung, keine Raumtemperaturkontrolle	ja
Bei Mindestwärmeleistung	P_{min}	N.A.	kW	zwei oder mehr manuell einstellbare Stufen, keine Raumtemperaturkontrolle	nein
im Betriebszustand				Raumtemperaturkontrolle mit mechanischem Thermostat	nein
Leistungsbedarf der Pilotflamme	P_{Pilot}	N.A.	kW	mit elektronischer Raumtemperaturkontrolle	nein
				mit elektronischer Raumtemperaturkontrolle und Tageszeitregelung	nein
				mit elektronischer Raumtemperaturkontrolle und Wochenzeitregelung	nein
				Sonstige Regelungsoptionen (Mehrfachnennungen möglich)	nein
				Raumtemperaturkontrolle mit Präsenzerkennung	nein
				Raumtemperaturkontrolle mit Erkennung offener Fenster	nein
				mit Fernbedienungsoption	nein

- Bei Feuerstätten ohne wasserführende Bauteile erfolgt kein Eintrag.
- Werte für Jahresnutzungsgrad und Emissionen sind hier für den bevorzugten Brennstoff anzugeben.
- Werte für Jahresnutzungsgrad und Emissionen sind hier für alle weiteren, sonstige geeignete Brennstoffe anzugeben.
- Entspricht der Teilwert-Wärmeleistung nach EN 16510
- Angabe in mg/m³ bei Heated-Filer-Methode (gemäß Anhang III, Nummer 4, Buchstabe a, Ziffer 1, Punkt 1), bzw. g/kg bei Messung im Verdünnungstunnel (gemäß Anhang III, Nummer 4, Buchstabe a, Ziffer 1, Punkt 2 und 3). Hier sind Angaben nur zum bevorzugten Brennstoff zu machen.

Datum 11/2021

Technische Dokumentation zu Festbrennstoff-Einzelraumheizgeräten nach Verordnung (EU) 2015/1185 und Verordnung (EU) 2015/1186

Kontaktangaben des Herstellers oder seines autorisierten Vertreters

Hersteller:	Schiedel
Kontakt:	Vorname und Name Straße und Hausnummer
Anschiff:	PLZ und Stadt Land

Angaben zum Gerät

Modellkennungen:	Sirius 3
Gleichwertige Modelle:	Sirius 3S
Prüfberichte:	RRF - 40 17 4788-2, RRF - DP DP 20 5450
Angewandete harmonisierte Normen:	EN 13240:2001/A2:2004/AC:2007 Art. 158 B/V/3, 1; BimSchiff 1/2; Stufe; DIBt; Mitteilungen 3/2015, Nr. 2021-3643 (Stufe 1, 2 und 3), NS 3058-1; June 1994, NS 3058-2; June 1994, NS 3059; October 1994, CEN TS 15883, BS/DP 5434-1989, FprEN 16510-1:2018
Andere angewandete Normen/techn. Spezifikationen:	Nein
Indirekte Heizfunktion:	Nein
Direkte Wärmeleistung:	5,0 kW
Indirekte Wärmeleistung ¹⁾ :	- kW

Eigenschaften beim Betrieb mit dem bevorzugten Brennstoff

Raumheizungs-Jahresnutzungsgrad η_{R}	72,0 %
Energieeffizienzkennwert (EEI)	108,9
Besondere Vorkorrekturen bei Zusammenbau, Installation oder Wartung	
siehe Bedienungsanleitung	

Ort, Datum Unterschrift der zeichnungsberechtigten Person

Datum 11/2021

Technische Dokumentation zu Festbrennstoff-Einzelraumheizgeräten nach Verordnung (EU) 2015/1185 und Verordnung (EU) 2015/1186

Brennstoff	Bevorzugter Brennstoff (nur einer?)	Sonstige(r) geeignete(r) Brennstoff(e)	η_{R} (%)	Raumheizungs-Emissionen bei Nennwärmeleistung ¹⁾				Raumheizungs-Emissionen bei Mindestwärmeleistung ²⁾			
				CO	CO ₂	NO _x	PM ₁₀	CO	CO ₂	NO _x	PM ₁₀
Scheitholz, Feuchtkitgelagerter + 2%	ja	nein	72,0	23	33	750	119	-	-	-	-
Pressholz, Feuchtkitgelagerter + 12 %	nein	ja	72,0	23	33	750	119	-	-	-	
Sonstige holzartige Biomasse	nein	nein	Wert	Wert	Wert	Wert	Wert	Wert	Wert	Wert	
Nicht-holzartige Biomasse	nein	nein	Wert	Wert	Wert	Wert	Wert	Wert	Wert	Wert	
Antrazit und Trochsenkohle	nein	nein	Wert	Wert	Wert	Wert	Wert	Wert	Wert	Wert	
Steinkohlekoks	nein	nein	Wert	Wert	Wert	Wert	Wert	Wert	Wert	Wert	
Schwelecks	nein	nein	Wert	Wert	Wert	Wert	Wert	Wert	Wert	Wert	
Braunkohle	nein	nein	Wert	Wert	Wert	Wert	Wert	Wert	Wert	Wert	
Braunkohlekoks	nein	nein	Wert	Wert	Wert	Wert	Wert	Wert	Wert	Wert	
Turfbriketts	nein	nein	Wert	Wert	Wert	Wert	Wert	Wert	Wert	Wert	
Briketts aus einer Mischung aus fossilen Brennstoffen	nein	nein	Wert	Wert	Wert	Wert	Wert	Wert	Wert	Wert	
Sonstige fossile Brennstoffe	nein	nein	Wert	Wert	Wert	Wert	Wert	Wert	Wert	Wert	
Briketts aus einer Mischung aus Biomasse und fossilen Brennstoffen	nein	nein	Wert	Wert	Wert	Wert	Wert	Wert	Wert	Wert	
Sonstige Mischung aus Biomasse und fossilen Brennstoffen	nein	nein	Wert	Wert	Wert	Wert	Wert	Wert	Wert	Wert	

Eigenschaften beim ausschließlichen Betrieb mit dem bevorzugten Brennstoff³⁾

Angabe	Symbol	Wert	Einheit	Angabe	Symbol	Wert	Einheit
Wärmeleistung				Thermischer Wirkungsgrad (Brennstoffwirkungsgrad) (auf Grundlage der NCV)			
Nennwärmeleistung	P_{Nenn}	5,0	kW	Thermischer Wirkungsgrad (Brennstoffwirkungsgrad) bei Nennwärmeleistung	η_{Nenn}	82	%
Mindestwärmeleistung (Richtwert)	P_{min}	N.A.	kW	Thermischer Wirkungsgrad (Brennstoffwirkungsgrad) bei Mindestwärmeleistung (Richtwert)	η_{min}	N.A.	%

Ort, Datum Unterschrift der zeichnungsberechtigten Person

Datum 11/2021

Technische Dokumentation zu Festbrennstoff-Einzelraumheizgeräten nach Verordnung (EU) 2015/1185 und Verordnung (EU) 2015/1186

Angabe	Symbol	Wert	Einheit	Art der Wärmeleistung/Raumtemperaturkontrolle (Bitte eine Möglichkeit auswählen)	
Hilfsstromverbrauch					
Bei Nennwärmeleistung	P_{Nenn}	N.A.	kW	einstufige Wärmeleistung, keine Raumtemperaturkontrolle	ja
Bei Mindestwärmeleistung	P_{min}	N.A.	kW	zwei oder mehr manuell einstellbare Stufen, keine Raumtemperaturkontrolle	nein
im Betriebszustand				Raumtemperaturkontrolle mit mechanischem Thermostat	nein
Leistungsbedarf der Pilotflamme	P_{Pilot}	N.A.	kW	mit elektronischer Raumtemperaturkontrolle	nein
				mit elektronischer Raumtemperaturkontrolle und Tageszeitregelung	nein
				mit elektronischer Raumtemperaturkontrolle und Wochenzeitregelung	nein
				Sonstige Regelungsoptionen (Mehrfachnennungen möglich)	nein
				Raumtemperaturkontrolle mit Präsenzerkennung	nein
				Raumtemperaturkontrolle mit Erkennung offener Fenster	nein
				mit Fernbedienungsoption	nein

- Bei Feuerstätten ohne wasserführende Bauteile erfolgt kein Eintrag.
- Werte für Jahresnutzungsgrad und Emissionen sind hier für den bevorzugten Brennstoff anzugeben.
- Werte für Jahresnutzungsgrad und Emissionen sind hier für alle weiteren, sonstige geeignete Brennstoffe anzugeben.
- Entspricht der Teilwert-Wärmeleistung nach EN 16510
- Angabe in mg/m³ bei Heated-Filer-Methode (gemäß Anhang III, Nummer 4, Buchstabe a, Ziffer 1, Punkt 1), bzw. g/kg bei Messung im Verdünnungstunnel (gemäß Anhang III, Nummer 4, Buchstabe a, Ziffer 1, Punkt 2 und 3). Hier sind Angaben nur zum bevorzugten Brennstoff zu machen.

Datum 11/2021

Serial number

The serial number of the stove can be found (1) on the packaging label or (2) on the type plate that is inside a small plastics bag in the combustion chamber.

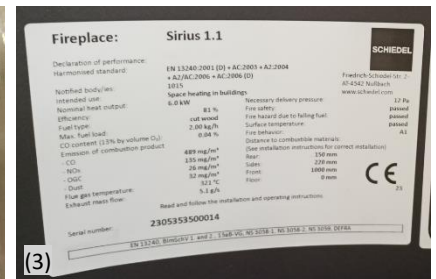
The serial number can be also found (3) on the type plate that sticks on the inner side of the door of wood storage compartment.



(1)



(2)



(3)

PLEASE NOTE: This serial number is required in case of any service support requested.

Warranty

The stove will be delivered free of any defects in material or workmanship (warranty case) within a warranty period of 24 (twenty-four) months. In case of warranty, SUPPLIER will rectify by supply of new parts at its own expenses.

The warranty period shall commence with the delivery of the Contractual Product to the end customer and shall end not later than 30 (thirty) months after production date.

A warranty period of 6 months from delivery (to the end user) is valid for operating components, i. e. door handles, slider handles, riddle grate rods.

The warranty does not cover:



- usual wear and therefore, expendable parts, i. e. all parts contacted by fire – especially seals, cementing materials, combustion chamber facing like chamottes, vermiculite plates, concrete bricks, deflecting plates and deflectors, grates, glass panels or elements of glass decor;
- damages to the lacquered or coated surfaces due to mechanical impact (abrasion, scratches, pressure marks etc.) of the end customer;
- permissible deviation from measurements (measure of length, twisting, angularity), microfissures and color differences of shades of ceramic casings as well as different textures, quartz-like lines, quartz inclusions, rock inclusions, color nuances and color deviations in natural stone and sandstone facings;
- faults caused by the noncompliance of set-up and operating instructions as well as by the installation of spare parts and accessories of other manufacturers than SUPPLIER;
- damages to devices and their add-on parts or consequential damages outside of the stove if caused by excessive load, improper use (overload), poor maintenance or faults in setting up and connecting the stove;
- direct or indirect damages to goods of the orderer or end customer caused by stove (e.g. pollution of rooms, dust cover, emission of fog, ...etc.);
- damages caused by transportation (e.g. broken glass, damages to coating, other damages, any kind of damages to the fireplace provoked by transportation) which cannot be attributed to inadequate packaging;
- subsequential damages caused by improper storage conditions and/or storage management and/or incorrect handling.

Further claims under this warranty don't exist if technical changes made to the respective stove, not authorized by SUPPLIER.

Information on disassembly, recycling and/or disposal at end-of-life

Your stove consists for the most part of recyclable raw materials.

Caution: There is a risk of environmental damage if the device is not disposed of properly!

- Do not dispose of the device and accessories with normal household waste! 
- Dispose of the device and accessories in an environmentally friendly and appropriate way (recycling)! 
- Dispose of the device and the accessories according to the legal regulations, waste disposal company or your municipal waste disposal facility!

CE marking & DoP

Fireplace: **Sirius 3.1**

Declaration of performance:

EN 13240:2001 (D) + AC:2003 + A2:2004 +

A2/AC:2006 + AC:2006 (D)

Notified body/ies:

1015

Intended use:

Space heating in buildings

Nominal heat output:

6.0 kW

Efficiency:

82 %

Fuel type:

cut wood

Max. fuel load:

2.00 kg/h

CO content (13% by volume O₂):

0.03 %

Emission of combustion products:

- CO 348 mg/m³- NOx 130 mg/m³- OGC 16 mg/m³- Dust 19 mg/m³

Flue gas temperature:

311 °C

Exhaust mass flow:

5.3 g/s

SCHIEDEL

Friedrich-Schiedel-Str. 2-6

AT-4542 Nußbach

www.schiedel.com

12 Pa

passed

passed

passed

A1

Necessary delivery pressure:

Fire safety:

Fire hazard due to falling fuel:

Surface temperature:

Fire behavior:

Distance to combustible materials:

(See installation instructions for correct installation)

Rear: 220 mm

Sides: 600 mm

Front: 1100 mm

Floor: 0 mm

CE

23

Read and follow the installation and operating instructions.



Serial number: 2304353500101

EN 13240, BImSchV 1. and 2., 15a B-VG, NS 3058-1; 3058-2, NS 3059, DEFRA

Declaration of performance

according to Regulation EU 305/2011

09-002-DOP-2018-07-25

SCHIEDEL

General information	
Unique identification code for the product type	SIRIUS 3 / SIRIUS 3G
Intended use	Space heating in residential buildings for burning solid fuel without hot water supply
Manufacturer	Schiedel Chimney Systems Ltd Crowther Road, Crowther Industrial Estate, Washington, Tyne & Wear, NE38 0AQ
System(s) to assess and review constancy of performance	System 3
Harmonised standard	EN 13240:2001/A2:2004/AC:2007
Notified body/ies	RRF, D-46047 Oberhausen / 1625
Test report no.	RRF - 40 17 486-2

Declared performance	
Reaction to fire	A1
Fire safety	passed
Distance to combustible materials <i>See instruction manual for correct installation</i>	Rear: 220 mm
	Rear: 70 mm (w. insulated flue pipe)
	Sides: 600 mm
	Front: 1000 mm
Floor: 0 mm	
Risk of burning fuel falling out	passed
Emission of combustion products	CO: 750 mg/m ³
	NOx: 119 mg/m ³
	OGC: 33 mg/m ³
	Dust: 23 mg/m ³
Surface temperature	passed
Electrical safety	passed
Release of dangerous substances	no performance determined / npd
Cleanability	passed
Maximum operating pressure	npd
Flue gas temperature	231 °C
Mechanical strength - For installation of flue outlet	npd
Nominal heat output	5,0 kW
Water heating capacity	-
Room heating capacity	5,5 kW
Energy efficiency	82%

The efficiency of the above product corresponds to the declared performance. The above mentioned manufacturer is solely responsible for drawing up the declaration of performance in accordance with the regulation (EU) no. 305/2011.

Signed for and in the name of the manufacturer by:

General manager, Kim Klejnstrup Olesen (Karup 23.08.2019)