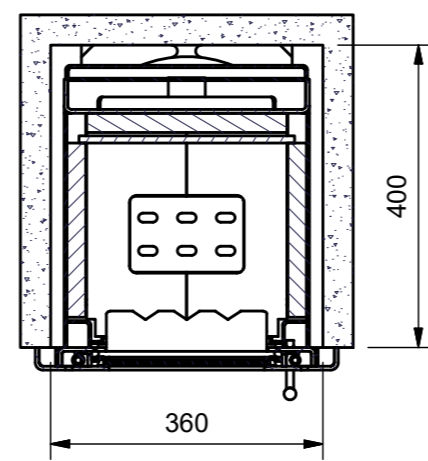
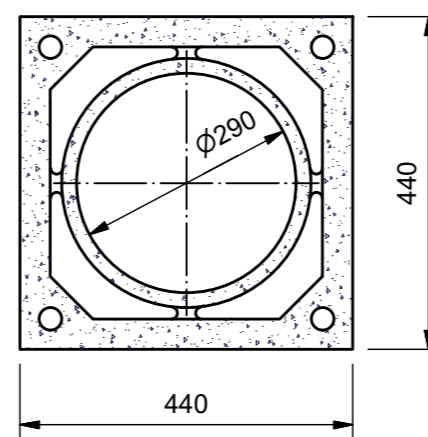


SCHNITT: C-C



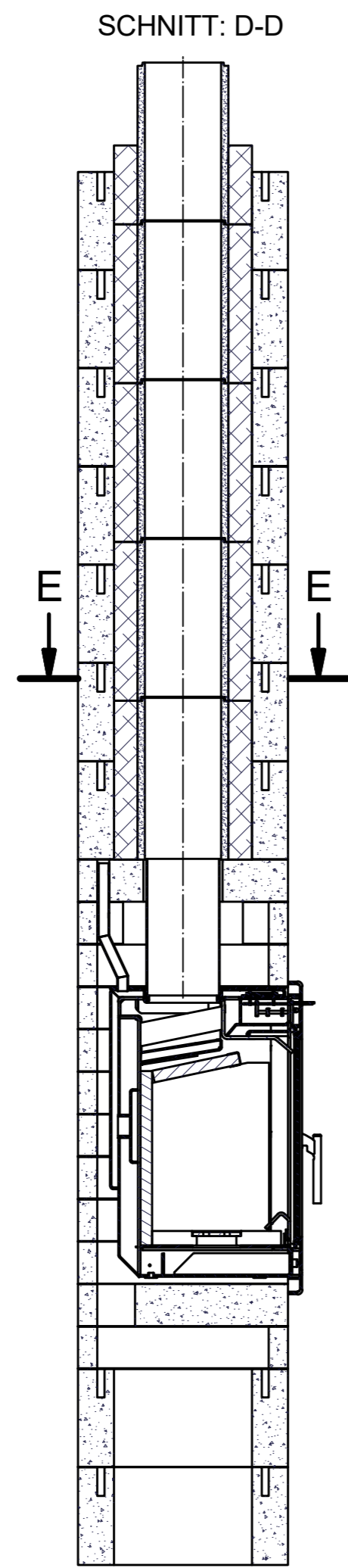
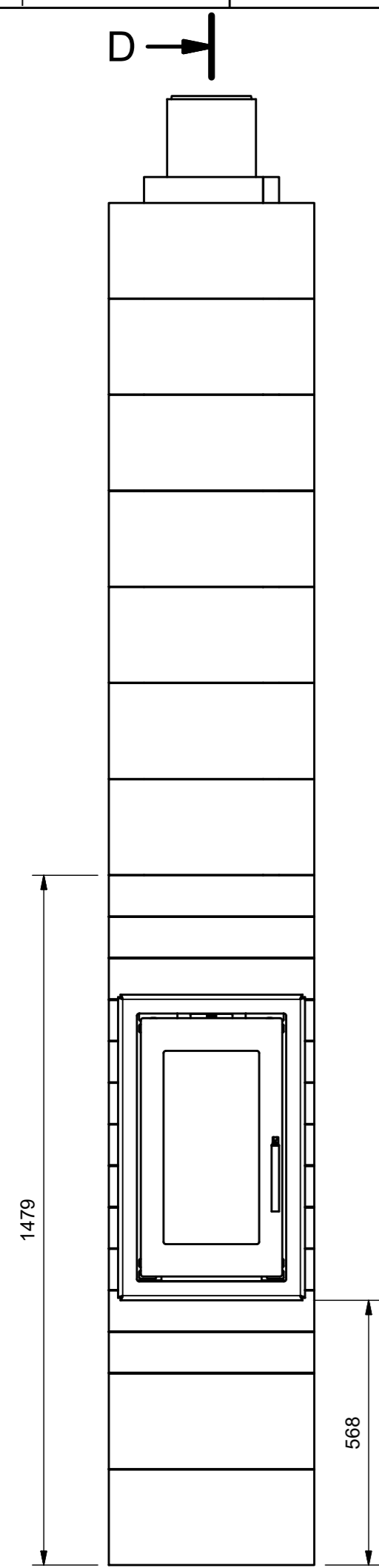
SCHNITT: B-B



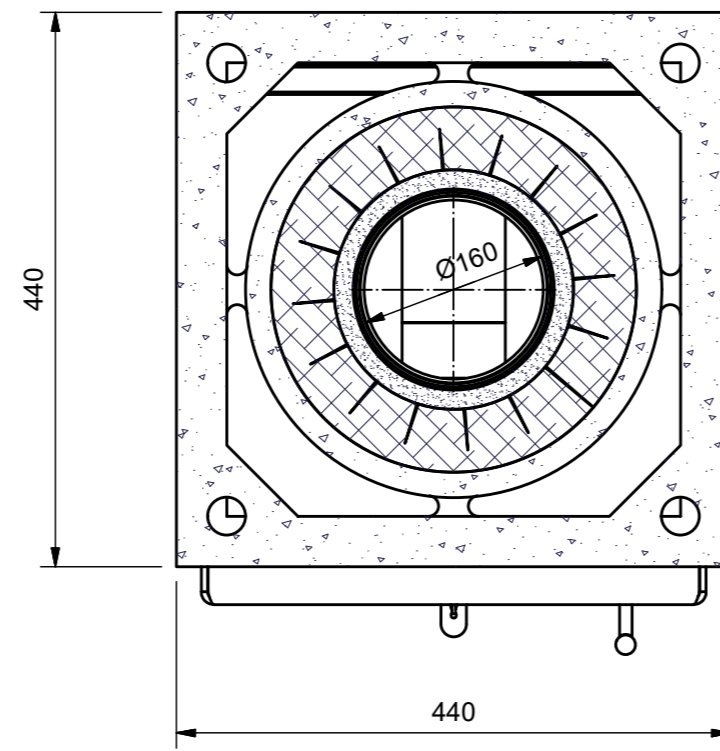
POS.	STK.	TITEL	MATERIAL	GEWICHT
16	1			321,473 kg
6	1	Celsius Topplate 440x440x88	Bimsstein	34,240 kg
5	1	Celsius O Element 440x440x88	Bimsstein	13,558 kg
4	7	Celsius U Element 440x440x88	Bimsstein	10,507 kg
3	1	Celsius Bottom Plate 440x440x88	Bimsstein	26,602 kg
2	2	Celsius Grid Element 440x440x88	Bimsstein	11,423 kg
1	9	Mantelstein SOLID VENT	Bimsstein	25,313 kg

REV.	MODIFICATION	DATE	NAME	DRAWN	CHECKED	SIGNATURE	MEASURE IN mm	SCALE	SYSTEM	PART/ASSEMBLY/PROJECT	DESIGNATION	DRAW.ID.	REV.	DCR	SHEET	A2
							1:10						0		1/3	

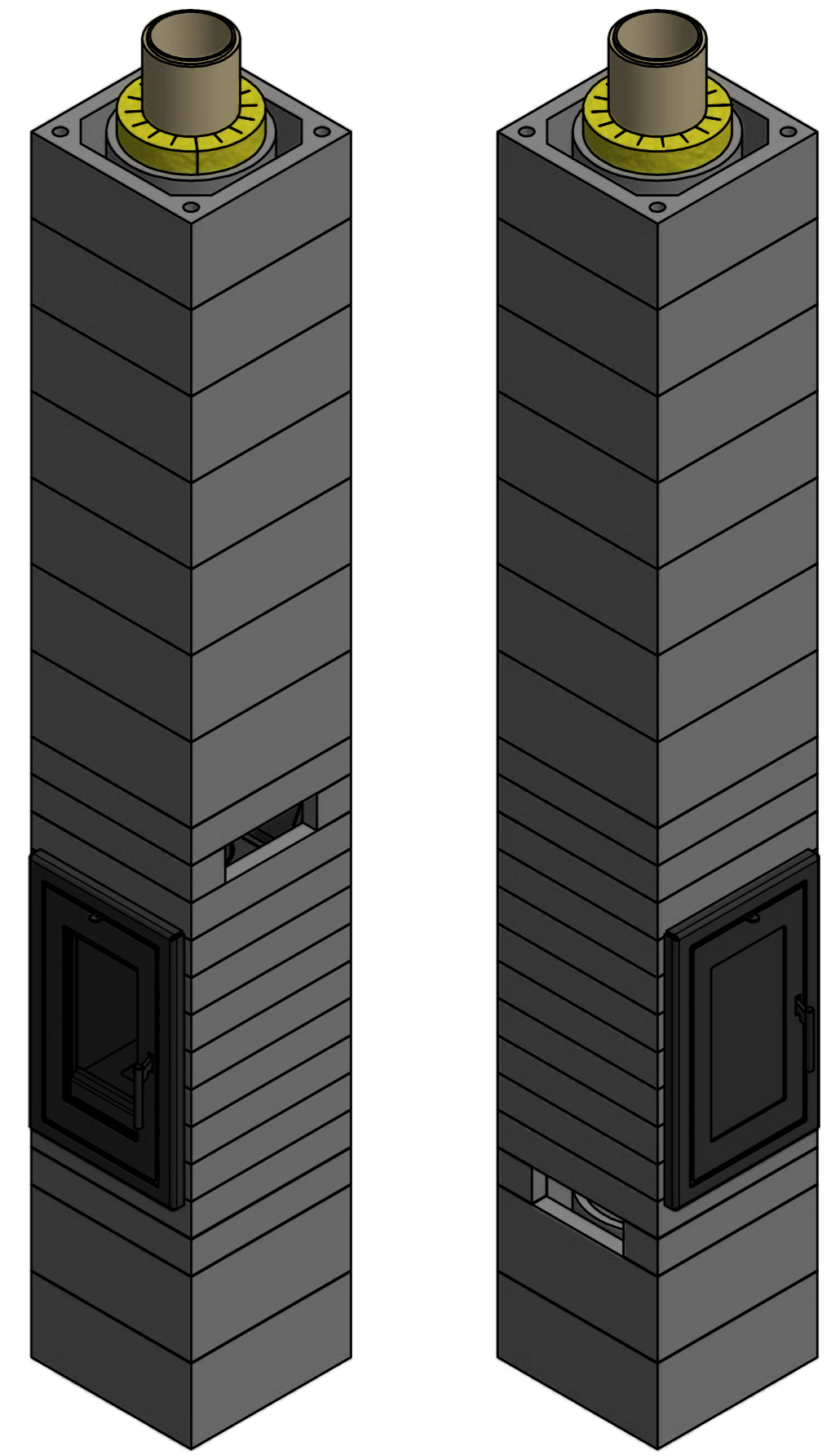
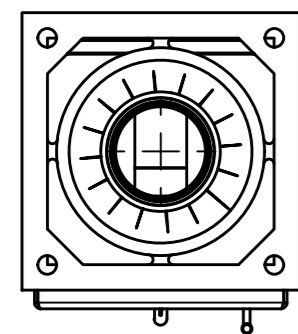




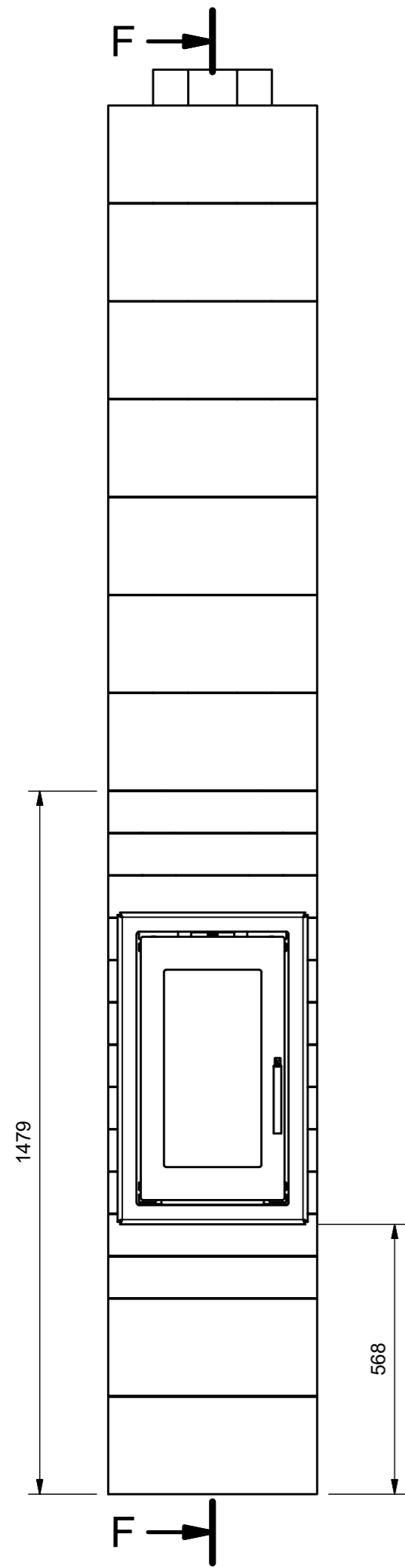
SCHNITT: E-E



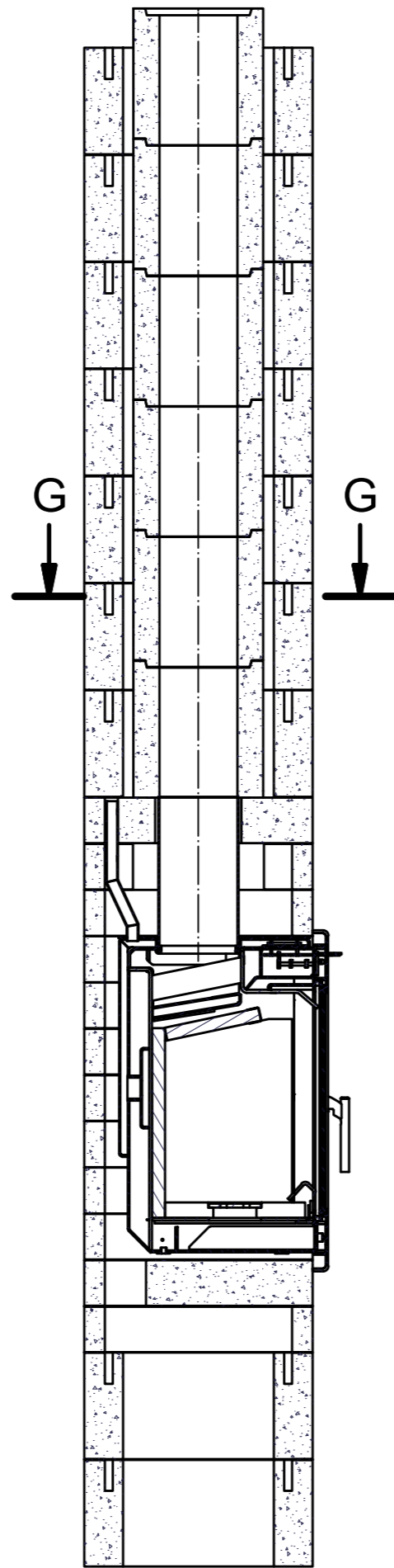
D →



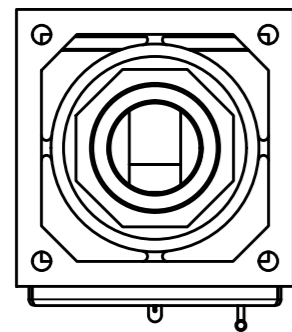
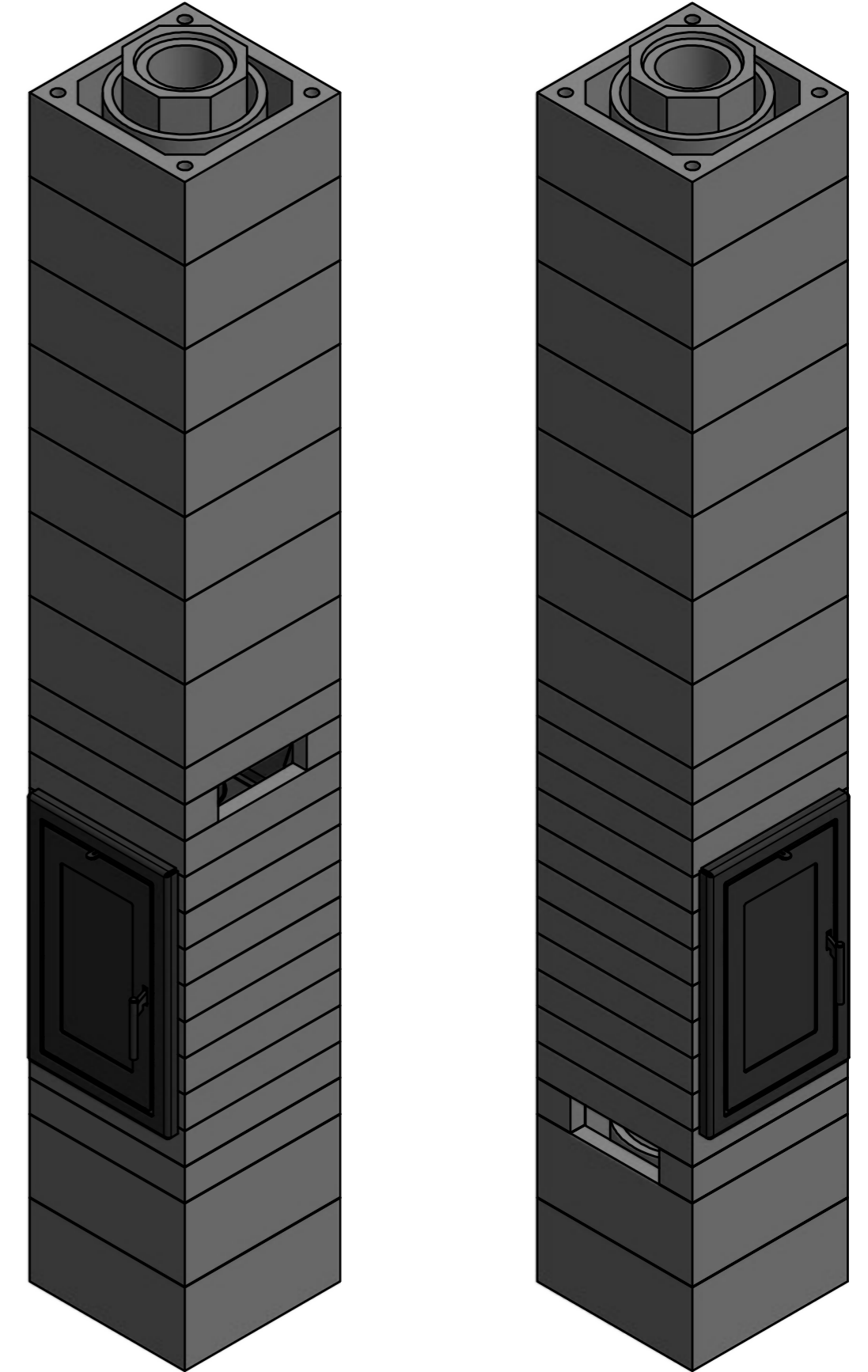
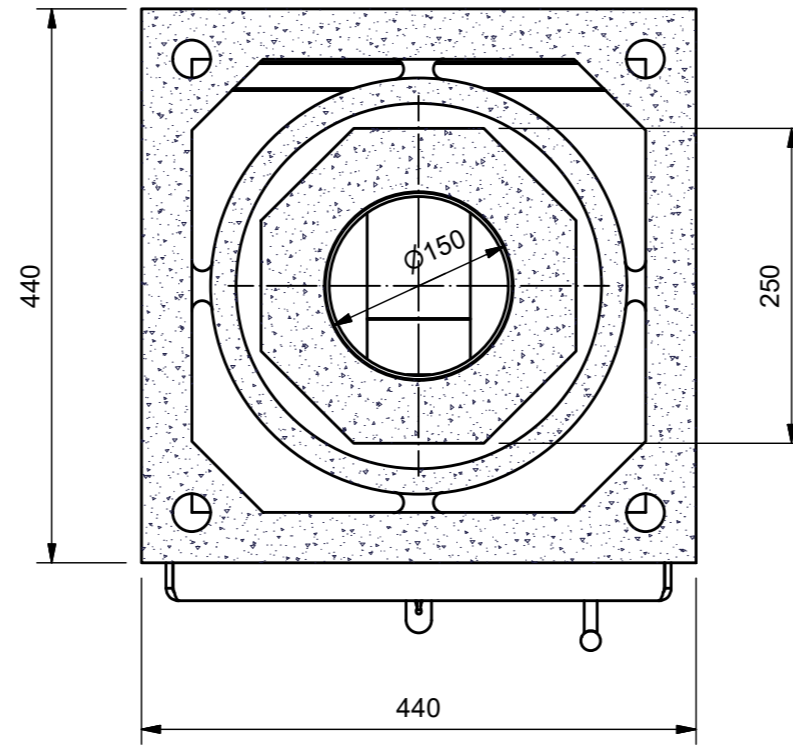
<small>Rendition and dissemination of this document as well as utilization and report of the content are not permitted, without prior written consent. Offences obligate to compensation.</small> <small>All rights, including rights created by patent grant or registration of an utility model or design, are reserved.</small>			MEASURE	SCALE	SYSTEM
			IN	1 : 12	
			DIN ISO 2768-m		
			DATE	NAME	DESIGNATION
		DRAWN			
		CHECKED			
		SIGNATURE			
					DRAW.ID. --
		SCHIEDEL GmbH Friedrich-Schiedel-Straße 2-6 A-4542 Nußbach			
REV.	MODIFICATION	DATE	NAME		MAT.NR. .
					SHEET 2/3
					A2



SCHNITT: F-F



SCHNITT: G-G



<small>Rendition and dissemination of this document as well as utilization and report of the content are not permitted, without prior written consent. Offences obligate to compensation.</small> <small>All rights, including rights created by patent grant or registration of an utility model or design, are reserved.</small>			MEASURE IN mm	SCALE 1 : 12	SYSTEM PART/ASSEMBLY/PROJECT
DIN ISO 2768-m					
			DATE	NAME	
		DRAWN			DESIGNATION
		CHECKED			
		SIGNATURE			
 SCHIEDEL GmbH Friedrich-Schiedel-Straße 2-6 A-4542 Nußbach					
REV.	MODIFICATION	DATE	NAME		DRAW.ID. --
					REV. 0 DCR
					MAT.NR. .
					SHEET 3/3 A2