

# Metaloterm® ADDF

Mounting instructions / Montageanweisung / Mode de montage / Instrukcja montażu / Montagehandleiding

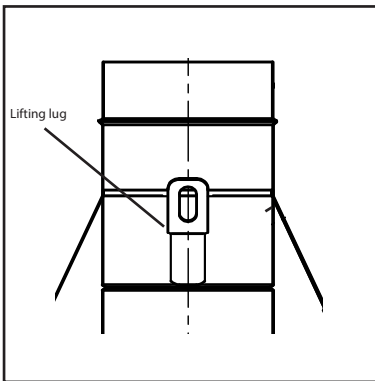


Fig. 1 Position of lifting lugs

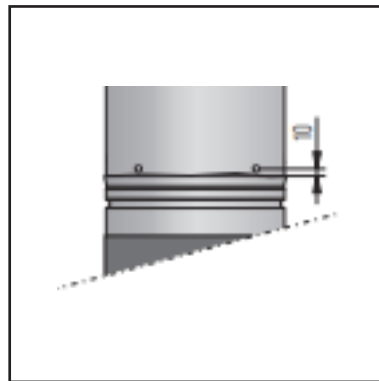


Fig. 2 Securing the joints with rivets.

Ø	130	150	180	200	250	300	350	400	450	500	600
Rivets	3	3	4	4	5	6	7	7	7	8	9

Table 1: Amount of rivets per diameter

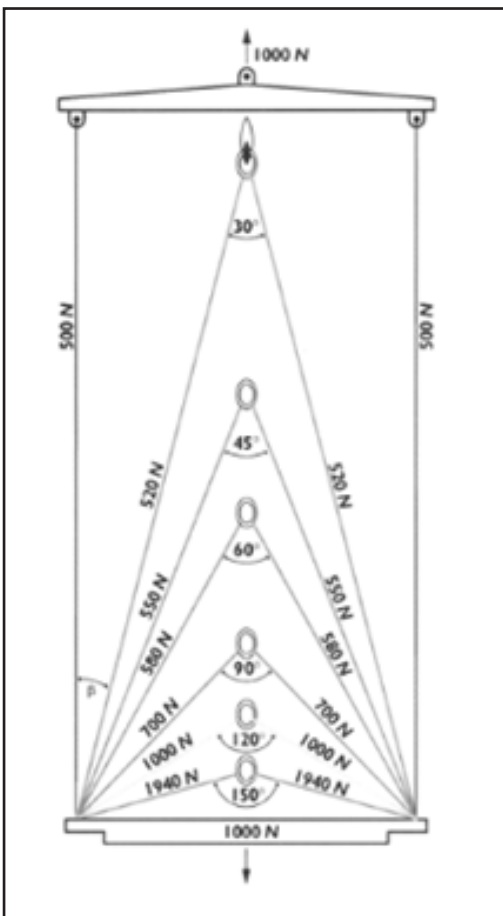


Fig. 3 Connection points and corresponding load

## Regulations

The ADDF should be installed according to the mounting instructions of the AD system available on [www.metaloterm.com](http://www.metaloterm.com)

A short instruction video: [Metaloterm AD Mounting Instruction Video](https://www.youtube.com/watch?v=JHf8j7t-Es&feature=youtu.be)  
<https://www.youtube.com/watch?v=JHf8j7t-Es&feature=youtu.be>

Mounting instruction: [AD mounting instruction.pdf](https://www.metaloterm.com/assets/files/manuals/ad/int/mounting/SMBNL-AD-mounting-instruction.pdf)  
<https://www.metaloterm.com/assets/files/manuals/ad/int/mounting/SMBNL-AD-mounting-instruction.pdf>

## Installation

The ADDF in larger diameters ( $> \text{Ø}350$ ) can be heavy and large, therefore there are lifting lugs foreseen on the top of the product.

In diameter 350 and larger, the position of the lifting lugs is at the exit of the ADDF on the inside as shown in figure 1.

Secure the joint by rivets, placed equally around the element (see figure 2). The amount of rivets depend on the diameter installed (see table 1). Position of the rivets: ADPN is article code for rivets. Always use stainlesssteel gas-tight rivets.

Make sure during lifting that the angle between the 2 strings is not more than  $30^\circ$ . This to prevent unwanted additional loads on the connection points, or in the strings. (see figure 3)