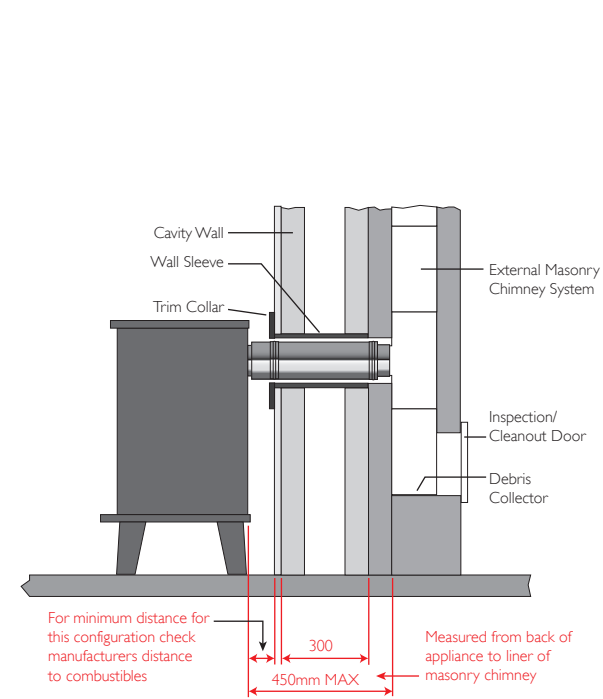


BENDS IN CONNECTING FLUE PIPES

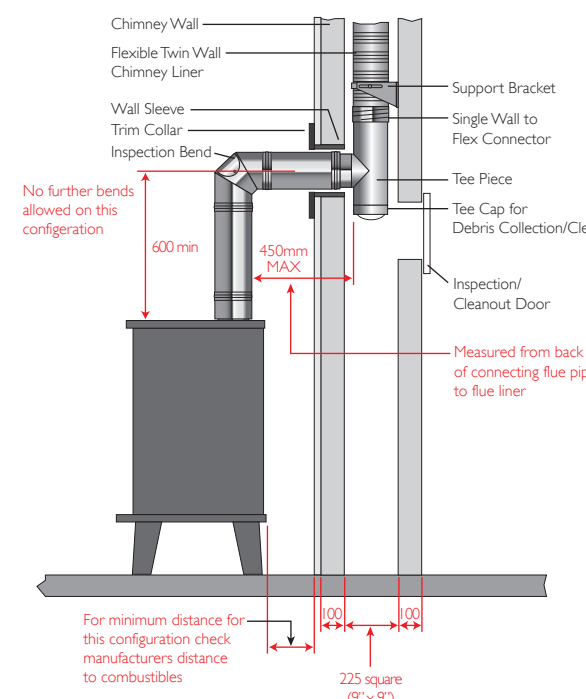
EN15287-1 Acceptable Alternative methods:

Where a horizontal connecting flue of more than 150mm is required to connect a solid fuel fired appliance to a chimney, an installation method as per the examples below may be used provided the following criteria is met:-

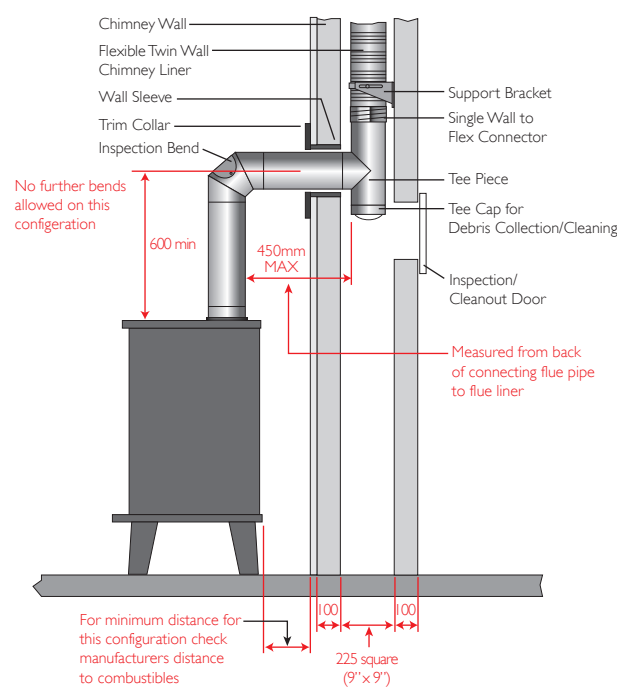
- The maximum length of horizontal connecting flue pipe does not exceed 450 mm;
- A Defra exempt appliance or an appliance, which is limited to burning authorised smokeless fuel only, is installed.
- A calculation according to BS EN 13384-1 has indicated safe operation of the configuration, and the results of the calculation are left with the appliance installation instructions;
- The appliance manufacturer agrees in writing to the configuration;
- The chimney manufacturer agrees in writing to the configuration, [CLICK HERE](#) to download manufacturer's letter of consent;
- The total length of single wall connecting flue pipe is not more than 1.5m.
- The appropriate distances to combustible materials from both the appliance and the connecting flue pipe(s) are maintained.



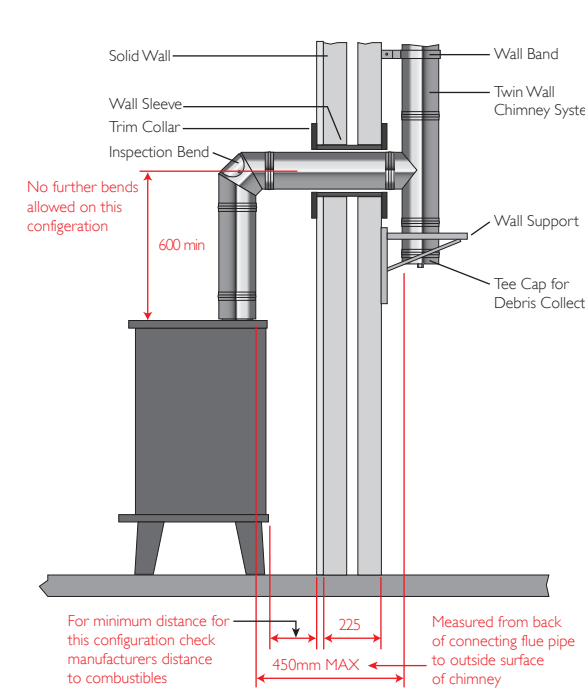
REAR OUTLET TWIN WALL CONNECTING FLUE PIPE INTO EXTERNAL MASONRY CHIMNEY THROUGH A CAVITY WALL



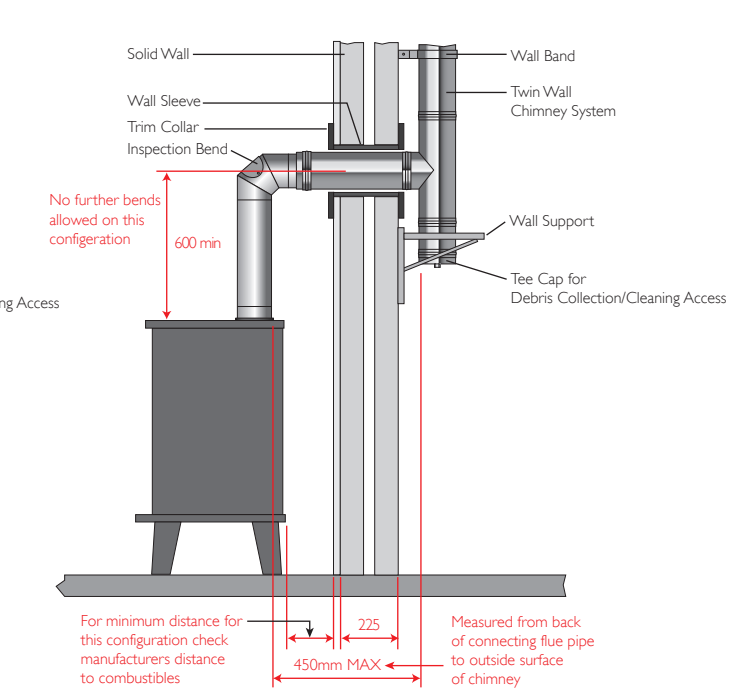
TOP OUTLET TWIN WALL CONNECTING FLUE PIPE INTO RE-LINED MASONRY CHIMNEY



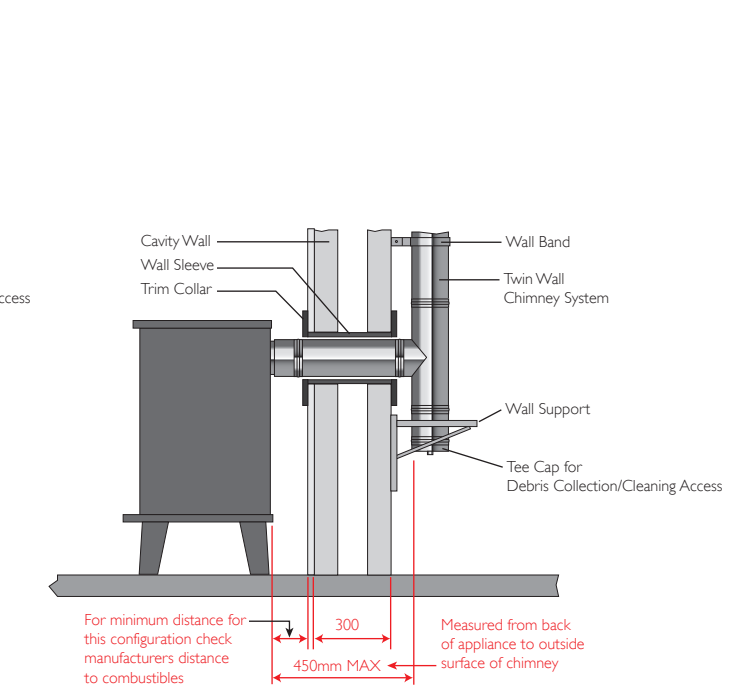
TOP OUTLET SINGLE WALL CONNECTING FLUE PIPE INTO RE-LINED MASONRY CHIMNEY



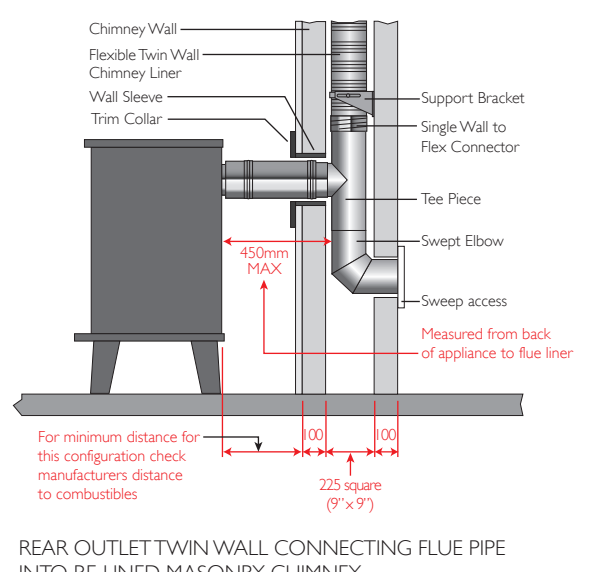
TOP OUTLET TWIN WALL CONNECTING FLUE PIPE THROUGH SOLID WALL INTO TWIN WALL SYSTEM CHIMNEY



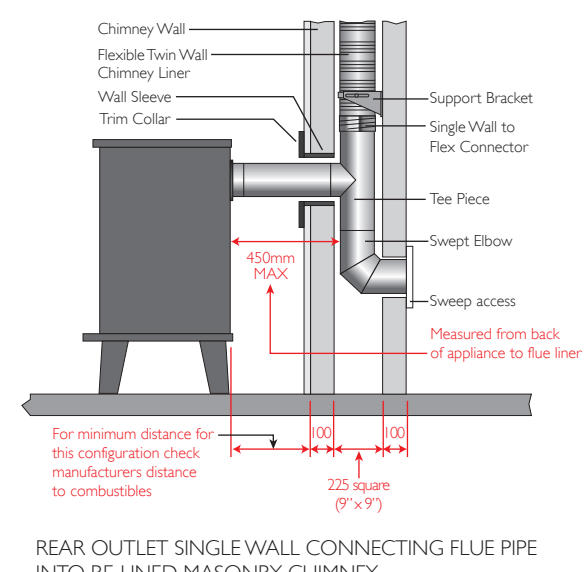
TOP OUTLET SINGLE WALL CONNECTING FLUE PIPE THROUGH SOLID WALL INTO TWIN WALL SYSTEM CHIMNEY
NB Where the connecting flue pipe from the appliance passes through any wall other than the existing chimney wall, the connecting flue pipe must be a System Chimney of twin wall insulated design.



REAR OUTLET TWIN WALL CONNECTING FLUE PIPE THROUGH CAVITY WALL INTO TWIN WALL SYSTEM CHIMNEY



REAR OUTLET TWIN WALL CONNECTING FLUE PIPE INTO RE-LINED MASONRY CHIMNEY



REAR OUTLET SINGLE WALL CONNECTING FLUE PIPE INTO RE-LINED MASONRY CHIMNEY