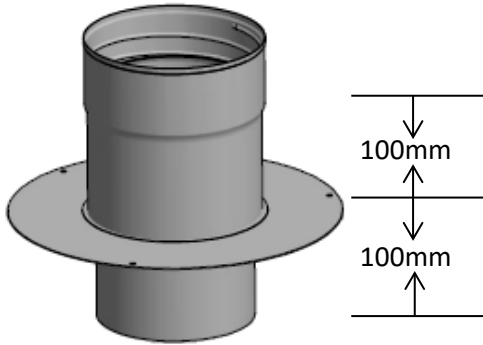




FLEX | ADJUSTABLE CLOSURE PLATE ADAPTOR FIXED



Features	Benefits
<ul style="list-style-type: none"> Adjustable section. 200mm. 	<ul style="list-style-type: none"> Allow for pipe adjustment.
<ul style="list-style-type: none"> 316L Stainless steel finish. 	<ul style="list-style-type: none"> Corrosion-resistant.
<ul style="list-style-type: none"> Lightweight. 	<ul style="list-style-type: none"> Compact easy to manipulate and install.
<ul style="list-style-type: none"> Screwfit connection 	<ul style="list-style-type: none"> Easy to connect.

Int Ø (mm)	125/125	125/155	150/155
Ext Ø (mm)	125	155	155
SAP Code	151945	151946	151947

