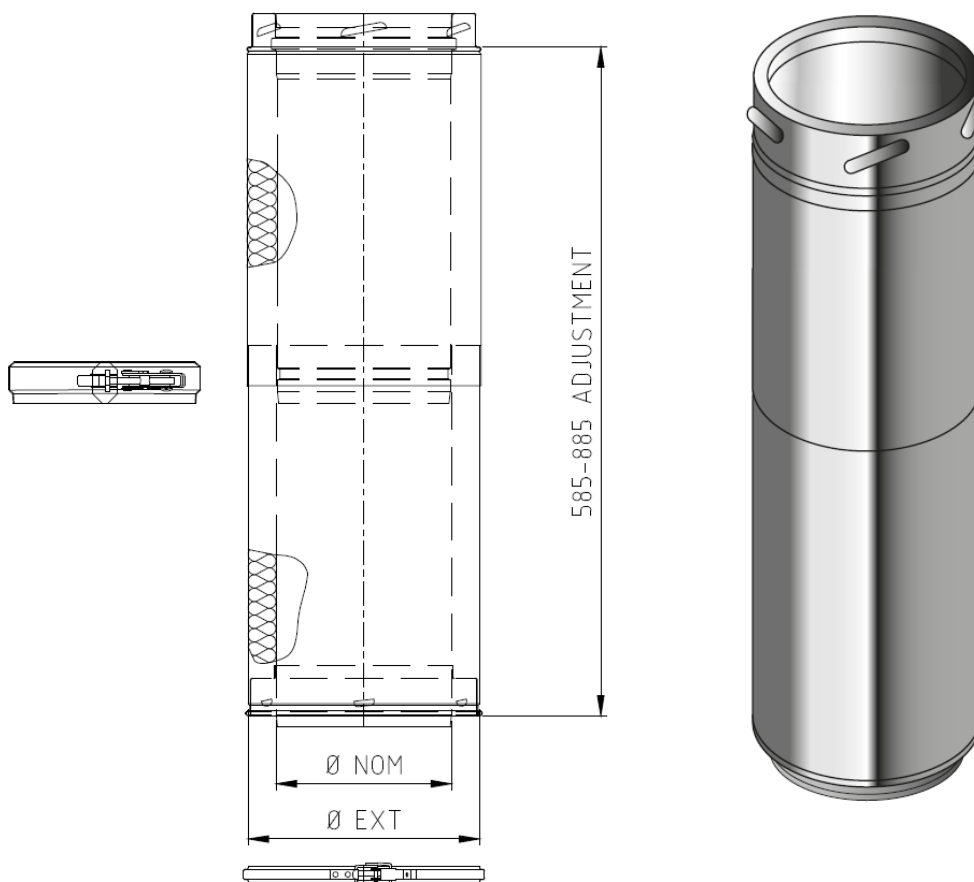


DCR 1326 585-885mm ICID Adjustable Length

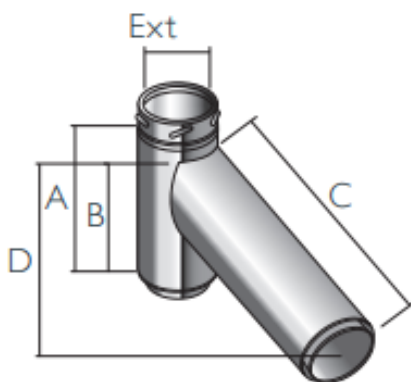
The 585-885mm effective ICID Adjustable Length is a new telescopic 2-piece adjustable in the ICID range, adding to the two we already offer.

The introduction of this part will result in the removal of our Adjustable 135° Tee, and is an ideal solution to achieve specific distances when passing through a wall-space to run the flue externally. The part comes complete with an adjustable locking band, allowing the user to fix the two sections in place, when the desired length has been achieved.



Features	Benefits
Twist-lock connection.	Simple & quick installation on site.
Large adjustment range.	Ideal solution to achieve specific length required when passing through a wall.
Manufactured from high-quality stainless steel.	High corrosion resistance.
0.5mm Liner and Case.	High level of mechanical strength.

	Unpainted		Painted	
Diameter (mm)	Ø125	Ø150	Ø125	Ø150
SAP Code	176845	176846	176847	176848
List price	£155.14	£165.33	£187.90	£193.06
EAN/UPC	4049723650914	4049723650921	4049723650938	4049723650945



To be removed		
Part	SAP Code	List price
Ø125mm Unpainted	154662	£475.11
Ø125 Painted	154664	£503.12
Ø150mm Unpainted	154663	£577.79
Ø150 Painted	154665	£613.11